



SHIELD RADAR SPEED SIGN

APL Certification 700-019-007

Shield Speed Display

- **Shield 12:** 12" x 6" digits, 112 LED/digit
- **Shield 15:** 15" x 8" digits, 140 LED/digit
- Size, weight without battery
 - **Shield 12:** 15.5" x 13.5" x 3.12", 12 lbs
 - **Shield 15:** 24" x 17" x 3.12", 18 lbs
- **Universal Mounting System:** attach to pole, portable post trailer or vehicle hitch mount
- **Radar:** K Band (24.15 GHz), FCC Certified, no license required, +/-1 mph accuracy, 11 degree square pickup area, 5-105 mph (8-150 KPH), range: 1200+ ft. (12B, 15B range: 400')
- Meets MUTCD Specifications

Shield Operation Modes

- **Speed Display:** Display approaching vehicle's speed and record traffic speed and volume data
- **Stealth or Display Off:** Collect traffic speed and volume data with no display
- Changeable speed limit sign
- **Schedule:** Change mode or speed limit up to 13 times/day
- Collect traffic data – vehicle volume by speed and time – in all modes
- Sign returns to last configuration when power applied



Shield Programming Methods

On-Board Programming (standard on all units)

- Set speed limit
- Set display mode

ATS PC Sign Manager Local Communication

(PC control/USB connection: Standard with on all signs)

- PC based client software
- Connect to sign via USB or Bluetooth (optional)

ATS Android App Local Communication (Optional):

- Android OS wireless Bluetooth control local to unit
- Android device can be phone or WiFi device with Bluetooth

Local Communication Features:

- Create and change modes and settings
- Local data retrieval and management
- Manage all unit settings, automatic sync with TraffiCloud web
- Based Management (optional)
- All traffic data can be saved for online management and backup
 - Retrieve data and save to TraffiCloud, generate limited reports online from hosted data

TraffiCloud® Web-based Management Services using integral cell modem for remote management

(See TraffiCloud specification for more information)

- Turnkey system. Remote sign connection functional upon ship. Unit connects to TraffiCloud system when sign powered
- Fully hosted web-based management system
 - Internet-connected computer with browser provides anywhere access on all browser capable, connected devices
 - No IT involvement or support necessary. System bypasses customer network eliminating access issues
 - Cellular provided by ATS, no separate cellular charges
 - Hosted database requires no setup or maintenance by customer

App

All apps included in Traffic Suite:

- **Equipment Management:** Change messages and settings remotely, monitor sign online
- **Reporting:** Online data retrieval and management, analysis and enhanced report generation
- **Alerts:** Notifications for low battery and tampering, high speed and congestion
- **Mapping:** Visually manage equipment and data
- **Premier Care:** Enhanced warranty and real-time monitoring

Shield Speed Programming

- Configure the following parameters via ATS PC Sign Manager, ATS Android App or TraffiCloud Web-Based Management Service (optional):
 - Speed limit
 - Maximum speed displayed
 - Display on/off/specific mph activation
 - Radar sensitivity (range)
- Speed limit sign operation
 - Change speed limit up to six times per day
 - Sign flashes when car passing over speed limit, blanks when car over maximum speed displayed
- Set time via PC or sync with cell signal
- Sign firmware field and remotely upgradeable

Scheduling

- **All Days:** Schedule up to six different modes for up to 13 different time periods in a 24 hour day, repeats in each 24 hour cycle
- **Seven Days:** Schedule up to six different modes for up to 13 different time periods in a 24 hour day for each of seven days, repeats in each seven day cycle
- All messages and scheduling reside on the sign – no external hardware necessary
- Schedules can be saved for loading on multiple signs
- Program schedule via TraffiCloud, ATS PC Sign Manager or ATS Android App
- Internal real time clock, time and schedule maintained with power disconnected

Shield Data Logging Option

- Traffic data reporting using TraffiCloud Online Reporting App
- Collect data with TraffiCloud automatic service or local collection with ATS PC Sign Manager or ATS Android App with data saved to the TraffiCloud
- Reports include tables and charts to address all constituents with the most applicable data presentation
- All reports exportable to PDF
- Automatic Data Collection - TraffiCloud
 - Data retrieval at least eight times per day – near real time reporting, memory never full
 - All data in one database, available for analysis including compliance comparisons by location
 - Access reports from interactive map view by location

Reports

- Summary page with average and 85th percentile speed, average daily volume, 10-mph pace speed, high and low speed, display mode
- Traffic counts by speed range, full day and time of day over selected date range with 5-mph resolution
- Vehicle counts by time range per day by hour
- Vehicle counts by speed range and time of day

- Compliance by speed range with three ranges
- Enforcement report showing highest speed and volume violators over selected locations where data collected
- **Local Data Collection:** ATS PC Sign Manager or Android App
 - All data collected hosted in online TraffiCloud database for anywhere access
 - Download traffic data from sign with USB or Bluetooth connection
 - 30 days of high volume data minimum, data collection rolls over when memory reaches capacity

Construction

- “YOUR SPEED” sign
 - High intensity prismatic reflective background
 - **Shield 12:** 15.5” x 13.5”
 - **Shield 15:** 24” x 8”
 - Sign stores for compact storage and protects sign face, thumbscrews and tamper proof hardware included
 - 3.5” high MUTCD ‘C’ letters
- **LED Pixels:** Amber 595nm, 30-degree viewing angle, 100,000 hours, black background, (MUTCD compliant)
- Conformal coating on all circuit boards
- Integral handle
- Weatherproof, NEMA 4, IP65 sealed electronics compartment;
- Drip proof, vented battery compartments (2)
- 1/4” tinted, non-glare, UV stabilized polycarbonate face
- Entire face removable for service
- Tamper resistant mounting hardware pocket, hardware secured behind enclosure lock
- Aluminium chassis, 14 ga, white powder coat finish, black powder coat front for maximum contrast for digit visibility
- Protective polycarbonate corners also provide guide for YOUR SPEED sign storage
- -40 to 160 F operating temperature range, 95% humidity non-condensing (-20F for Bluetooth communication)

Shield Power

- **Power Input, Max:**
 - **Shield 12:** 12 VDC, 1.1 A, 15 W
 - **Shield 15:** 12 VDC, 1.5 A, 20 W
- Power saving circuitry and automatic dimming for ambient light conditions with adjustable dimming range and manual display brightness override

All Shield units can be powered interchangeably with any of the following power options; unit can be outfitted to be powered by multiple sources selected in the field

- **Shield 12 and 15:** Capacity for two batteries in unit for extended portable use
 - 10.2Ah Lithium LFP Battery with built-in short circuit and reverse polarity protection circuitry, 1.5A 12.8 VDC output, 120VAC input automatic charger; Capacity for up to two batteries in unit for extended portable use

Shield 12



- o Solar panel assist: 40W or 60W solar panel and bracket, Solar controller panel w/18Ah or 26Ah lead acid battery, 6A 120VAC automatic charger optional
- o 100-220VAC AC power supply (6A 12VDC) in external NEMA 4 enclosure
- **Shield 15 only:** 16Ah Li-Ion LFP battery, for longer unattended portable use, Capacity for up to two batteries in unit for extended portable use
- **Shield 15 on Trailer**
 - o Trailer batteries – 100 or 235 Ah, solar option
 - o Auto recovery with solar for low battery

Standard Shield System Components

- Shield Radar Speed Display
- Tamper resistant mounting plate and hardware
- Key
- Web based programming software for PC control with USB cable

Optional Shield Components and Features

- TrafficCloud Web-Based Remote Management System
- Padded carrying case
- Extra mounting brackets
- Metric display
 - o **Shield 12:** 2-digit KPM display
 - o **Shield 15:** 3-digit KPM display
- **Relay Closure**
 - o 7A, 30VDC or 7A 120VAC max, 100mA 5VDC min, no power supplied, simply a contact closure
 - o Trigger relay at specified speed with configurable duration from 1 to 10 seconds per radar event
- Bullet resistant face
- **Tamper alarm:** ATS 5 trailer

Shield 15



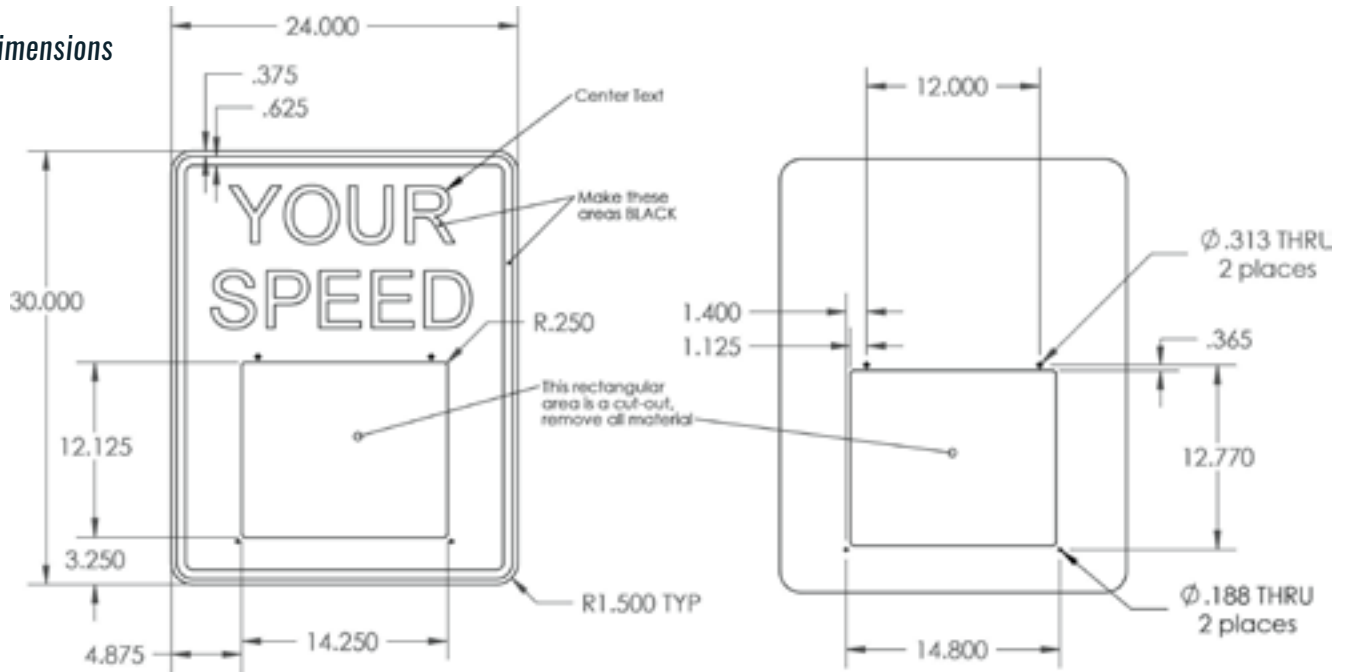
Shield Mounting Options

- Pole mount standard with included bracket, hardware
 - o NCHRP 350 approved on 4" aluminium pole (SS-135)
- **Vehicle Hitch Mount**
 - o Mounts sign 30" to bottom of sign from receiver tube (final height dependent on receiver height)
 - o Fits 1 ¼" or 2" receiver, adapter included, ½" hitch pin
- Locking rotation adjustment on 15 degree increments over 180 degrees, +/- 5 degrees tilt
 - o White powder coat finish
 - o 24 x 30 speed limit sign and digits included for 5-65 mph speed limit signs
- **Standard Folding Portable Post:** (Sh12 and Sh15)
 - o Folds for easy storage and portability
 - o **Shield 12:** 60" to bottom, 73" to top, add 13" for upper leg position
 - o **Shield 15:** 60" to bottom, 77" to top, add 13" for upper leg position

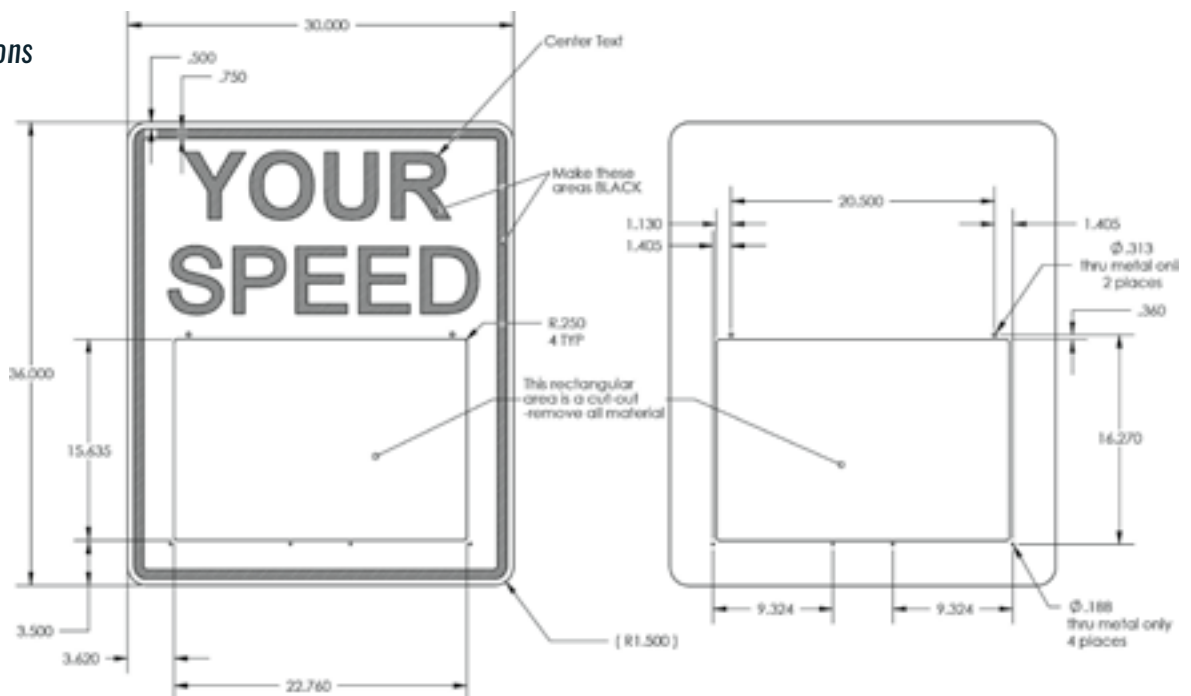
Premier Care Warranty

- 1-year warranty (three months on Li-Ion batteries)
- Available with TrafficCloud subscription
 - o Warranty service fully covered
 - o Product software upgrades free
 - o Vandalism and accidental damage (non-warranty) at 50% off list price

Shield 12 Dimensions



Shield 15 Dimensions



Dimension	X	Y	Z	B	D	E	L	H
Sh12	15.5	13.5	3.13	26.3	5.75	12	15.5	13.5
Sh15	24	17	3.12	24.3	8	15	24	8

For more information visit us online

 sales@alltrafficsolutions.com
  Call ATS at 866.366.6602

All Traffic Solutions, 12950 Worldgate Drive, Suite 310, Herndon, VA 20170

©All Traffic Solutions TrafficCloud leverages our patented technology (US Patents 8417442; 8755990; 9070287; 9411893) to deliver unique cloud-based management, features and functionality. TrafficCloud is a registered trademark of All Traffic Solutions.

ALL TRAFFIC SOLUTIONS

