

# VETTED SECURITY SOLUTIONS

PRODUCT CATALOG



**VETTED**  
SECURITY SOLUTIONS

[www.vettedsecuritysolutions.com](http://www.vettedsecuritysolutions.com)  
[sales@vettedsecuritysolutions.com](mailto:sales@vettedsecuritysolutions.com)

## ALPR - Automated License Plate Readers

### Base Items

Please reference pages 15-24 for more information on ALPR

#### Fixed Enclosures, Mobile Systems and Parking Lot Enforcement

VSS-FM-01 Fixed LPR Main Enclosure with 1 Camera  
VSS-FM-02 Fixed LPR Main Enclosure with 2 Cameras  
VSS-FM-03 Fixed LPR Main Enclosure with 3 Cameras  
VSS-FM-04 Fixed LPR Main Enclosure with 4 Cameras  
VSS-MRC1 Mobile LPR Kit with GPS Unit -1 Camera  
VSS-MRC1-MT 1 Cam Mobile Kit Mount HW  
VSS-MRC2 Mobile LPR Kit with GPS Unit -2 Cameras  
VSS-MRC2-MT 2 Cam Mobile Kit Mount HW  
VSS-MRC3 Mobile LPR Kit with GPS Unit - 3 Cameras  
VSS-MRC3-MT 3 Cam Mobile Kit Mount HW  
VSS-MRC4 Mobile LPR Kit with GPS Unit - 4 Cameras  
VSS-MRC4-MT 4 Cam Mobile Kit Mount HW  
VSS-RE-MOB-CASE ALPR System Mobility Carrying Case  
VSS-VPS-01-RE 1-Camera Reaper Mobile LPR Subscription for Parking Enforcement  
VSS-VPS-02-RE 2-Camera Reaper Mobile LPR Subscription for Parking Enforcement  
VSS-VPS-03-RE 3-Camera Reaper Mobile LPR Subscription for Parking Enforcement  
VSS-VPS-04-RE 4-Camera Reaper Mobile LPR Subscription for Parking Enforcement  
VSS-VPS-PI-GEN Parking Integration  
VSS-VPS-PT-01 Parking Enforcement System Toolkit

Please reference pages 25-39 for more information on trailers



#### Trailers

VSS-SPD-TRL-LPR 2 Camera ALPR Speed Trailer VSS-VMS-LPR  
2 Camera ALPR Message Board Trailer VSS-TRL-KIT-LPR  
MOBILE ALPR TRAILER RETROFIT KITS

VSS-OTL License: Hosted/Managed Account  
VSS-CL1 License: Tier 1  
VSS-CL2 License: Tier 2  
VSS-CL3 License: Tier 3  
VSS-CL4 License: Tier 4  
VSS-SL License: Fixed or Mobile LPR System

### ALPR Options

- Trailers – Radar, Traffic Data Classifier, Modem & Cellular Set-Up
- Annual Mobile Companion Concurrent User License for Multi-plate Scan Feature - For Parking Enforcement agencies with Existing Vigilant LPR Hardware Fixed Installation
- Mobile ALPR Installation
- Training
- Extended Hardware Warranty
- Extended Software Warranty

## Mobile Command Units – MERC Mobile Emergency Response Center

Please reference pages 40-55 for more information on MERC units

### Trailers

- CCS-MERC-20F MERC - 20FT: 20L X 8W bumper pull mobile command center trailer.
- CCS-MERC-24F MERC - 24FT: 24 X 8W bumper pull mobile command center trailer.
- CCS-MERC-30F MERC - 30FT: 30L X 8W 5<sup>th</sup> wheel mobile command center trailer
- CCS-MERC-42F MERC - 45FT: 45L X 8W mobile command center 5th wheel or goose neck



### Vehicles

- CCS-MERC-23V MERC-23V Ford F-650 Diesel Base Regular Cab, V8 Turbo Diesel, 270 HP, 6 speed auto transmission, 23' walk through.
- CCS-MERC-35V MERC-35V Ford F-750 Diesel Base Regular Cab, V8 99C Turbo Diesel, 6 speed autos, 35' aluminum .125 body
- CCS-MERC-40V MERC-40V Freightliner FL112 chassis, Custom Body, 400 HP CAT diesel engine or equal, 40' smooth side .125 custom aluminum body, 10 ft slide out.
- CCS-MERC-LDV MERC Light Duty Vehicle, 9450-9900 GVWR, MERC-TRV Ford 2017 Transit-350 Base High Roof, HD extended Length Cargo Van 148", 6 speed auto transmission

### Unmanned Trailers and Unmanned Aircraft Vehicles & Trailers Price

- CCS-MERC-LTE MERC Lite: 14L X 6W bumper pull trailer, tactical satellite trailer
- CCS-MERC-MINI MERC Mini: 10L X 5W, bumper pull tactical satellite trailer.
- CCS-MERC-UASC Unmanned Aerial System Carrier: 20L X 8W, drone deployment trailer.
- CCS-PERC Portable Emergency Response Center- 24X36 portable pelican case

## Mobile Emergency Response Command Center

- Options for:
- Workstations, Wall Array
- Kitchenette
- Cabinets & Countertops
- Conference Area
- Slide-Out
- Couch Seating with or without Storage Satellite
- Complete Customization

Please reference pages 56-72 for Video Analytics and Software



## Video Analytics & Software

1 Year FulcrumAI Investigator (Cloud) offers a fully hosted product designed to enable easy uploading, processing, and searching of investigative video from surveillance cameras, body cameras, and handheld/witness cameras.

**FAI-IN-00500**

**FAI-IN-01500**

**FAI-IN-05000**

**FAI-IN-10000**

1 Year Video Analytics Appliance FulcrumAI Real Time utilizes an appliance-style deployment of on-premise hardware. FulcrumAI Real Time offers all the same video processing and search capabilities of FulcrumAI Investigator (Cloud), plus adds support for live video stream indexing, real-time alerts, and VMS integrations. Hardware, initial license, first year of support and all software updates.

**Price**

**FAI-RT-V020-1**

**FAI-RT-V050-1**

**FAI-RT-V100-1**

1 Year FulcrumAI Real Time software license renewal for a Vintra20 system. License renewal includes one additional year of software updates, and Silver level support for hardware and software, for as-shipped specifications of the Vintra20 appliance.

**FAI-RT-V020-1R**

**FAI-RT-V050-1R**

**FAI-RT-V100-1R**

3 Year Video Analytics Appliance FulcrumAI Real Time utilizes an appliance-style deployment of on-premises hardware. FulcrumAI Real Time offers all the same video processing and search capabilities of FulcrumAI Investigator (Cloud), plus adds support for live video stream indexing, real-time alerts, and VMS integrations.

Hardware, initial license, support, all major and minor software updates

**FAI-RT-V020-3**

**FAI-RT-V050-3**

**FAI-RT-V100-3**



**VSS-BC-INV-001** BriefCam Video Investigation License, Annual Subscription, 3-year commitment

**VSS-BSYN-PSOS** Professional Services includes remote end user training and BriefCam Appliance set up.

**VSS-BC-INV-001** Investigator BriefCam REVIEW, File Video Input, Single User

**VSS-PT-BAS-001** Protect BriefCam REVIEW, RESEARCH, RESPOND, File & VMS Video Input, 2 Concurrent Users, up to 100 Cameras-expand to Unlimited.

**VSS-BC-VMS-02** RapidReview BriefCam REVIEW, VMS Video Input, 2 Concurrent Users, up to 50 Cameras- expand to 200.

**VSS-BC-VMS-05** Insights BriefCam REVIEW, RESEARCH, RESPOND, VMS Video Input, 5 Concurrent Users, up to 100 Cameras-expand to Unlimited.

**VSS-BC-FB-11** BriefCam Video Investigator (File Based for 3rd party video)

**VSS-BC-SR-42** Briefcam Server (Mid-Range Spec)

## **OPTIONS for BriefCam**

Expansions of Camera and User Packs

Hardware

Database Expansion

Processing Servers

Service Package – basic training to custom dashboards

*\*Minimum of 3 years once purchased\**

*All Three Years can be paid upfront or over three years as outline in proposal.*



### **VSS-LE-CON-B**

LiveEarth Basic Connector

Per Connector/Per Year above Included Connectors

### **VSS-LE-BASE-S**

LiveEarth Base Subscription - Small

10 Concurrent User Licenses and 1 Basic Connector Included (Per Year)

Please reference pages 73-74 on CCTV

## CCTV/Access Control

VSS-4DOORHE 4 DOOR HEAD END PANEL  
VSS-8DOORHE 8 DOOR HEAD END PANEL  
VSS-16DOORHE 16 DOOR HEAD END PANEL  
VSS-DREQUIPMENTMAG-SINGLE Door equipment for access control S  
VSS-DREQUIPMENTMAG-DOUBLE Door equipment for access control D  
VSS-DREQUIPMENTSTK-SINGLE Door equipment for access control SS  
VSS-DREQUIPMENTSTK-DOUBLE Door equipment for access control DS  
VSS-ACSENT-16 Software license for 16 access control  
VSS-ACSENT-32 Software license for 32 access control  
VSS-ACSENT-64 Software license for 64 access control  
VSS-ACSENT-128 Software license for 128 access control  
VSS-ACSENT-256 Software license for 256 access control  
VSS-ACSENT-512 Software license for 512 access control  
VSS-ACSENT-1024 Software license for 1024 access control  
VSS-ACSENT-2048 Software license for 2048 access control  
VSS-ACSENT-BADGINGSOFT Software license for badging  
VSS-ACSENT-MIGRATION ACS MIGRATION  
VSS-CCTVENC-O-PTZ Vetted CCTV Overt Enclosure w/PTZ  
VSS-CCTVENC-C-PTZ Vetted CCTV Covert Enclosure w/PTZ  
VSS-CCTVENC-O-MS Vetted Overt Enclosure w/Multi-sensor.  
VSS-CCTVENC-C-MS Vetted Covert Enclosure w/Multi-sensor.  
VSS-MONBOX-D-F Vetted Dual Fixed CCTV Monitoring Box  
VSS-INSTALL-ACCESS Installation Services – CCTV Cameras / Access Control

## RTCC-Real Time Crime Centers

Please reference pages 40-44 for further information

### VSS-RTCC-B1

Real Time Crime Center (RTCC)

Base Includes Video Wall, Smart Whiteboard, Wall Monitor, Workstation (includes standard desk, reach desk light, 4ea touchscreen monitors with dual arm mounts, Dell Precision 3420 Workstation-or alt, filing pedestal & chair

**VSS-RTCC-B2** Real Time Crime Center (RTCC) Base 2 Base Lite Includes Video Wall (65"), RTCC Server Avigilon (or alt)

**VSS-RTCC-CON8** RTCC Conference 8 Includes 8' Conference Table with Power/Data Module, 6 High Back Executive Chairs

**VSS-RTCC-SIDE** RTCC Side Area Seating Includes Side/Club Chairs (2ea) with End Table

**VSS-RTCC-WALLM-46** RTCC Wall Monitor 46-in TV with Peerless SmartMount® Supreme (or alt)

**VSS-RTCC-WALLM-65** RTCC Wall Monitor 65-in TV with Peerless SmartMount® Supreme (or alt)

**VSS-RTCC-WE** RTCC Workstation Extended Includes standard desk with left or right return, reach desk light, 4ea Touchscreen monitors with dual arm mounts, Dell Precision 3420 Workstation-or alt, Filing pedestal & chair.

**VSS-RTCC-WP** RTCC Workstation Premium Winsted Graphite Nebula (or alt) Sit or Stand Desk, reach desk light, 4ea Touchscreen monitors with dual arm mounts, Dell Precision 3420 Workstation-or alt, Filing pedestal.

### VSS-RTCC-WS

RTCC Workstation Standard Includes standard desk, reach desk light, 4ea Touchscreen monitors with dual arm mounts, Dell Precision 3420 Workstation (or alt), Filing pedestal & chair.

## Surveillance Trailers

Please reference pages 25 - 39 for more information on trailers

**VSS-SPD-TRL-LPR** 2 Camera ALPR Speed Trailer **VSS-SPD-TRL-LPR** 2 Camera ALPR Speed Trailer

**VSS-VMS-LPR** 2 Camera ALPR Message Board Trailer (Metro Build)

**VSS-VMS-LPR** 2 Camera ALPR Message Board Trailer **VSS-SPD-TRL-LPR** 2 Camera ALPR Speed Trailer

**VSS-SS-TRL-LPR** 2 Camera ALPR Speed Self Sustain Trailer

**VSS-TRL-KIT-LPR-FULL** 2 Camera ALPR Complete Trailer Kit **VSS-SPD-TRL-LPR** 2 Camera ALPR Speed Trailer

**WVTM-PD** Wanco Mini Matrix Trailer, Telescoping Tower **VSS-TRL-KIT-LPR** 2 Camera ALPR Trailer Kit (no power sys)

Solar PVS

OPTIONS for Surveillance Trailers Power

Options Battery with Solar, Diesel

Camera options including Multi-sensor, IR, & more

Recording choices

Client Server Set-up Solar

& Battery Upgrades ALPR

Lighting

FirstNet & Other Carrier Cellular Set-Up

VMS Software

## Messaging Trailers

WSDT3-S-PD Public Safety Radar Speed Trailer  
WTMMB-A Full Size Matrix Message Board Trailer  
WVTM-A-PD Public Safety Mini Matrix Message Board Trailer  
WVTMC Mini Matrix Message Board Trailer with Camera  
WTMMBC Full Size Matrix Message Board Trailer with Camera



### **OPTIONS for Messaging Trailers**

ALPR  
Remote Connectivity  
Radar  
Traffic Data Classifier  
Solar & Battery Upgrades



# WHO WE ARE

SINCE 2012, VETTED SECURITY SOLUTIONS HAS HELPED OUR CLIENTS IDENTIFY, LOCATE, APPREHEND AND PREVENT SECURITY AND SAFETY THREATS WITH CUTTING EDGE, CUSTOMIZED LINES OF SECURITY SOLUTIONS.



## ACTIONABLE INTELLIGENCE AND REAL-TIME ALERTING

**At Vetted Security Solutions, every detail counts.** We partner with industry-leading manufacturers to complete turn-key solutions and back them up with 24/7 customer and technical support. Our solutions are always custom-tailored to meet the unique needs of your department and your city.

**As the largest LPR provider in Southeast United States,** our focus has always been and will always be on keeping communities safe with our products and our clients far beyond satisfied with our exceptional customer service. We support the thin blue line and proudly partner with law enforcement and businesses large and small.

**Our reputation is spotless and our successes are measurable.** Since our inception we have been committed to increasing public safety through actionable intelligence and real-time alerting. We share an unspoken oath to provide our clients the best service, products and the very best of ourselves every day.

## GROWING STRONG SINCE 2012



**700+**

CUSTOMERS



**80%**

LAW ENFORCEMENT  
DEPARTMENTS



**20%**

HOAS AND  
COMMERCIAL ENTITIES



# COMPLETE TURN-KEY SECURITY SOLUTIONS



## ALPR TECHNOLOGY

Whether it's BOLO alerts, criminal interdiction or Speed Enforcement, there is no denying ALPR's ability to provide security to the public.



## EMERGENCY MANAGEMENT

When it comes to Emergency Management it is possible to have too many tools at your disposal. We prioritize and make sense of the wide variety of tech so you don't have to.



## PARKING MANAGEMENT

Manage growing enforcement areas, shrinking budgets and vehicle identification with ALPR parking enforcement technologies.



## CCTV & SURVEILLANCE

With video analytics becoming more and more prevalent, CCTV can now provide unparalleled levels of security.



## PUBLIC SAFETY

Public safety is our government's most important function and requires the best tools technology can provide to keep communities safe.



# VETTED

SECURITY SOLUTIONS



MOTOROLA  
SOLUTIONS



FIRSTTWO  
ARMED WITH INTELLIGENCE



Comprehensive  
Communication  
Services



## BOARD MEMBERS

Ryan Barnett, President  
[727] 793-1215

[rbarnett@vttedsecuritysolutions.com](mailto:rbarnett@vttedsecuritysolutions.com)

Claude Macari  
[727] 643-4240

[cmacari@vttedsecuritysolutions.com](mailto:cmacari@vttedsecuritysolutions.com)

Neil Schlisserman, Chief Revenue Officer  
[908] 565-1592

[nschlisserman@vttedsecuritysolutions.com](mailto:nschlisserman@vttedsecuritysolutions.com)

ommy Joyce, Chief Strategy Officer  
[516] 241-5056

[tjoyce@vttedsecuritysolutions.com](mailto:tjoyce@vttedsecuritysolutions.com)

## FINDER, LLC TEAM

Jim McClure, TITLE  
[407] 448-5331

[Ejim@letr.org](mailto:Ejim@letr.org)

Chris Crowell  
[chris@letr.org](mailto:chris@letr.org)

## SALES TEAM

Bryce Gonzalez, Alabama Rep.  
[727] 313-1810

[bgonzalez@vttedsecuritysolutions.com](mailto:bgonzalez@vttedsecuritysolutions.com)

Ryan Cohen, North Florida Rep.  
[904] 599-8658

[rcohen@vttedsecuritysolutions.com](mailto:rcohen@vttedsecuritysolutions.com)

Don Broome, Georgia Rep.  
[229] 392-5953

[dbroome@vttedsecuritysolutions.com](mailto:dbroome@vttedsecuritysolutions.com)

Erez Sharoni, South Florida Rep.  
[305] 394-2294

[esharoni@vttedsecuritysolutions.com](mailto:esharoni@vttedsecuritysolutions.com)

Drayton Hughes, Tennessee Rep.  
[931] 255-1046

[dhughes@vttedsecuritysolutions.com](mailto:dhughes@vttedsecuritysolutions.com)

Jeremy Ellison, Texas Rep.  
[512] 983-3495

[jellison@vttedsecuritysolutions.com](mailto:jellison@vttedsecuritysolutions.com)

Lori Hipskind, Millenium Products, Inc. GSA Contract  
[248] 770-9703

[lori@milleniumproducts.net /](mailto:lori@milleniumproducts.net)  
[hjpskind@vttedsecuritysolutions.com](mailto:hjpskind@vttedsecuritysolutions.com)

Gary Collins, Comprehensive Communication Services  
[469] 668-0301

[gwcollins@comprehensivecom.net](mailto:gwcollins@comprehensivecom.net)

## INSIDE SALES & SUPPORT TEAM

John Hixon, Vice President of Operations  
[727] 417-4631

[jhixon@vttedsecuritysolutions.com](mailto:jhixon@vttedsecuritysolutions.com)

Zack Bryan, General Manager of Vtted Holdings  
[727] 256-7868

[zbryan@vttedsecuritysolutions.com](mailto:zbryan@vttedsecuritysolutions.com)

Jeff Kinney, Inside Sales Team  
[901] 490-0400

[jkinney@vttedsecuritysolutions.com](mailto:jkinney@vttedsecuritysolutions.com)

Molly Farash, Sales Administrator  
[937] 825-2215

[mfarash@vttedsecuritysolutions.com](mailto:mfarash@vttedsecuritysolutions.com)

Debbie Sharkey, Accounting Team [727] 481-8816

[Accounting@vttedsecuritysolutions.com](mailto:Accounting@vttedsecuritysolutions.com)



VETTED  
SECURITY SOLUTIONS

# CAPABILITIES STATEMENT

## ABOUT VETTED

Since 2012 Vetted has been partnering with industry-leading manufacturers to bring you turn-key solutions and the highest focus on customer support. Our products include the most comprehensive, advanced suite of license plate recognition (LPR), facial recognition, analytics, commercial data, and mobile surveillance solutions available to improve safety for officers and communities, investigate crimes such as criminal homicide, forcible rape, aggravated assault, burglary, larceny, motor vehicle theft, arson, and kidnapping. Our platform provides law enforcement, HOA's, high-end commercial property groups, and many others to work in an unparalleled public / private partnership to secure your cities, job sites, corporate / education campus, and whatever else your need may be.

## CORE COMPETENCIES



- ALPR TECHNOLOGY



- EMERGENCY MANAGEMENT



- PARKING MANAGEMENT



- CCTV & SURVEILLANCE



- PUBLIC SAFETY

## CODES & CERTIFICATIONS

### NAICS CODE:

561621 - SECURITY SYSTEMS SERVICES

DUNS 079083357

CAGE 7STZ5

*680.0 Police Equip & Supplies*

*680.41: Crime Detection Equip & Supplies*

*680.77: Radar w Cameras*

*680.87: Surveillance*

*680.02: Access Control & Security Systems*

*918.93: Security Consultant*

**GSA Advantage!**

GSA Certified through sister company,

### Millenium Products, Inc.

- GS-07F-5791R: GS-07F-0031W: Surveillance Equipment, Traffic Safety Equipment
- GS-07F-0231N: Air Compressors, Generators Light Towers, Fuel Tanks & Trailers

## FEATURED CLIENTS

Broward County Sheriff's Office



Collier CSO



Palm Beach CSO



Huntsville PD (AL)



# CONTRACT VEHICLES



FLORIDA SHERIFF'S ASSOCIATION  
FSA20-EQU18.0



HGAC - IN PROCESS

---



GSA ADVANTAGE SCHEDULE CONTRACTS

GS-07F-0031W- SCHEDULE: 47QSMD20R0001 (LEGACY 84)  
426-4S SURVEILLANCE/CCTV EQUIPMENT

GS-07F-5791R-SCHEDULE: 47QSMD20R0001 (LEGACY 78)  
366-11 SIGNS  
366-12 SAFETY ZONE PRODUCTS

GS-07F-0231N-SCHEDULE: 47QSMD20R0001 (LEGACY 56)  
383-2 GENERATORS  
383-10 PORTABLE LIGHT TOWERS  
253-39 AIR COMPRESSORS  
361-20A FUEL/STORAGE TANKS  
412-14 CONVERTER/INVERTER GENERATORS



HGAC CONTRACT EF04-19  
LAW ENFORCEMENT AND SECURITY  
GENERATORS



TEXAS COOPERATIVE MULTIPLE AWARD SCHEDULE CONTRACTS

TXMAS 6-78080 - SCHEDULE: 78  
366-11 SIGNS  
366-12 SAFETY ZONE PRODUCTS  
TXMAS 19-5604 - SCHEDULE: 56  
383-2 GENERATORS  
383-10 LIGHT TOWERS  
253-39 AIR COMPRESSORS  
361-20A FUEL TANKS



# CONTRACT VEHICLES

BUYBOARD PROCUREMENT CONTRACT  
CONTRACT # 603-20



**Comprehensive  
Communication  
Services**

TEXAS DEPARTMENT OF INFORMATION RESOURCES (DIR)  
DIR CONTRACT NUMBER - DIR-TSO-3915  
MOBILE COMMAND CENTERS (TRAILERS AND VEHICLES)  
VIDEO SURVEILLANCE TRAILERS  
LICENSE PLATE RECOGNITION TRAILERS  
DRONE DEPLOYMENT TRAILERS/VEHICLES  
ZUMRO AIR SHELTERS  
MUTUALINK  
FIRECO PNEUMATIC MASTS (TOWERS)  
WILL-BURT PNEUMATIC MASTS (TOWERS)  
PORTABLE EMERGENCY RESPONSE CENTER  
SATELLITE NETWORK SERVICES  
MOBILE COMMUNICATION EQUIPMENT AND SERVICES



BUYBOARD PROCUREMENT CONTRACT  
CONTRACT # 617-20  
MOBILE COMMAND CENTER, EMERGENCY  
MANAGEMENT, AND BIO-TERRORIST VEHICLES



# ALPR and Surveillance



# FIXED ALPR

Vetted Security Solutions is offering a complete line of "turnkey" license plate reader (LPR) enclosures for all deployment scenarios. All components are programmed and tested to the end user specifications prior to commissioning to ensure rapid deployment and full functionality. These enclosures have been designed using tested components that perform in the harshest environmental conditions, day-after-day. Pre-configured for all scenarios; they can be remotely monitored and maintained. Modular components can be added and removed to cover a wide range of scenarios. Built to last, but easy to maintain; does not require a master technician to keep running. "Break and Fix" simplicity, if a component fails it can be swapped out putting the system back up and running with minimum of down time lite technical expertise.



## PRODUCT FEATURES:

- DOT Class II, NEMA 3R, Aluminum Enclosure:
- 14" x 12" x 8", 22lbs.
- Multiple Enclosure Mounting Options
- Standard Stainless Steel (Banded) or Pelco Stellar
- Industrial 24 VDC Power Supply
- Remote Management and Maintenance Module
- Industrial 5 Port PoE (30W per port)
- LTE Router Firewall WiFi "Bubble," and GPS
- Intel i5 7th Gen, 8GB RAM, 256 GB SSD, Win 10 64 bit IoT
- 2 x Temperature Controlled Cooling Fans
- Hi Performance Antenna
- Pre-Configured for "Just Add Power" deployment
- Options - Bridge Enclosure (Multi-Lane Intersection Coverage)
- Fiber Optic Connections
- Radio Frequency (RF) Connectivity



# FIELD LEVEL SOLUTIONS: SOFTWARE

WE RESEARCH AND SOURCE BEST-IN-CLASS SOFTWARE PARTNERS AND CONFIGURE THEIR PRODUCTS TO WORK IN UNISON TO FEED ACTIONABLE INTELLIGENCE THAT GETS REAL RESULTS.



**LEARN** -Vigilant Solution's LEARN Platform or (Law Enforcement Archival Reporting Network) is a user-friendly investigative platform that combines analytics and data from integrated technologies, such as license plate recognition (ALPR) and facial recognition to generate more investigative leads. With billions of ALPR detections and millions of photos in the Vigilant gallery, Vigilant helps agencies across the country generate investigative leads and close cases faster. (Visit [vigilantsolutions.com](https://www.vigilantsolutions.com) to learn more.)



**VIGILANT PLATESEARCH™** - Vigilant Solutions' Automated License Plate Recognition (ALPR) tool, helps agencies develop more leads and solve more cases. All of the data and analytics received from ALPR detections across the nation are housed in Vigilant's cloud, LEARN.



**VIGILANT FACESEARCH™** - Vigilant Solutions' Facial Recognition technology utilizes biometric algorithms of facial landmarks to find potential matches to help law enforcement develop strong investigative leads.



**VIGILANT CRIMESEARCH™** - Vigilant Solutions' Crime Gun Intelligence solutions allows agencies to visualize and access information about crime gun incidents, forensic test results, and any pattern-based crimes, using detailed, interactive maps to enhance and accelerate investigations.



**VIGILANT BALLISTICSEARCH™** - Vigilant Solutions' Ballistics Capture and Analysis tool allows agencies to easily capture images of fired cartridge cases, instantly determine the number of unique firearms utilized in the shooting and search the Vigilant BallisticSearch nationwide gallery and compare against other cartridge cases in minutes.

# L50

## QUICK DEPLOY LICENSE PLATE RECOGNITION CAMERA SYSTEM

### LICENSE PLATE RECOGNITION WITHIN REACH LIKE NEVER BEFORE

Build or expand an existing camera network with this affordable, easy-to-deploy-anywhere license plate camera system. This complete, quick deploy solution, paired with either Vigilant PlateSearch or ClientPortal empowers you to receive real-time alerts, conduct comprehensive searches as well as leverage advanced analytics to uncover new insights and operate more efficiently.



### KEY FEATURES

- Flexible power options - AC/DC or solar
- Built-in cellular communications
- Redeployable, all-in-one system design
- Rugged construction - IP66 rated
- Simple hot/shielded list management
- Robust, real-time alerting options
- Comprehensive search and reporting
- Configurable data retention settings
- Advanced vehicle location analytics
- Dedicated parking enforcement tools
- Customer-managed data access and sharing
- 3rd party LPR system integration



# CAMERA SPECIFICATIONS

## CAMERA PERFORMANCE

Optimal focal length	50 ft (15 m)
Capture range	< 75 ft (23 m)

## OPTICS

Image	3 MP image sensor
Capture speed maximum	60 mph (96.6 kph)

## HOUSING

Size	5.5"H x 4.5"W x 2.5"D (14 x 10 x 6.4 cm)
Fixed mounting	Low profile, pole mount bracket solution
Color	OD Green

## ENVIRONMENTAL

Environmental protection	IP66
Operational temperature	-20°F to 120°F (-29°C to 50°C)

## CABLE MANAGEMENT

Cable length	12 ft (4 m)
Type	Shielded power cable
Connector	Custom 12V barrel

## SOLAR PANEL POWER UNIT

Solar panel power	10W
Battery capacity	108 Wh
Product warranty	1 year
Dimensions	11.75"H x 12.0"W x 8.25"D (30 x 30.5 x 21 cm)
Included accessories	12 ft (4 m) shielded power cable

For more information, visit  
[www.motorolasolutions.com/l5q](http://www.motorolasolutions.com/l5q)



Motorola Solutions, Inc. 500 West Monroe Street, Chicago, IL 60661 U.S.A. [motorolasolutions.com](http://motorolasolutions.com)

MOTOROLA, MOTO, MOTOROLA SOLUTIONS and the Stylized M Logo are trademarks or registered trademarks of Motorola Trademark Holdings, LLC and are used under license. All other trademarks are the property of their respective owners. © 2020 Motorola Solutions, Inc. All rights reserved. 06-2020

# INVESTIGATIVE DATA PLATFORM (IDP & ILP)

## LPR Data

### DELIVERING RESULTS

More data means more leads, more closed cases, and more lives saved. Creating the National Vehicle Location Service® (NVLS) as a data sharing initiative for the United States, Vigilant now manages nearly 3 billion LPR detections. Within an agency LEARN® account, Vigilant enables free agency-to-agency sharing as well as free access to any LPR data contributed by an agency to the NVLS program. This data makes a difference and delivers results - everyday.

### KEY FEATURES

- Management of agency-contributed data per agency-defined data retention policy
- Point-and-click sharing among LEARN accounts as an alternative to NVLS sharing
- Commercial LPR data available as a service:
  - ~100 million detections added monthly
  - All data available via LEARN® for advanced queries and analytics
- Access restricted to law enforcement only
- Secure and redundant data center

*(Intelligence Led Policing (ILP) Package comes with commercial data and Qty 3-Camera Mobile LPR Hardware)*

- Tier 1:
- Tier 2:
- Tier 3:
- Tier 4:
- Tier 5:



## INSTANT RECOGNITION → DEFINITIVE ACTION.

Point-and-click data sharing is made simple within LEARN. Agencies may elect to share their data with the NVLS program to provide access to over 3,000 other agencies and 30,000 sworn law enforcement users, or agencies may select to share only to specific agencies. As always, Vigilant promotes sharing among law enforcement and makes all law enforcement contributed data available at no cost within the agency's LEARN account.

Private LPR data is an optional service from Vigilant that significantly expands the available data for agencies in almost every metro area. Vigilant's sister company, DRN, serves the public and commercial sector and has an agreement with its customers allowing them to provide a copy of all LPR data into Vigilant's law enforcement data center. This data is gathered from asset recovery specialists, access control and parking systems, and other commercial applications. If your systems have not seen the car you are looking for, with almost 100 million new detections added monthly, there is a good chance someone else has. Multi-vendor Interoperability is assured with Vigilant. Agencies using any vendor may contact Vigilant to discuss different models for sharing data with the NVLS initiative and take advantage of the improved investigative leads resulting from the larger data set.

Open access to law enforcement is a basic premise in Vigilant's LPR data sharing philosophy. Leveraging the cloud to deliver a web-based solution, LPR data from Vigilant (shared by law enforcement or Vigilant's own LPR data) is always available...without the need for additional software, servers, or IT expertise. Basic access is provided to all credentialed law enforcement for simple queries against law enforcement data.



## CONTACT US TODAY

PHONE: 727-440-3245

EMAIL: [sales@vettedsecuritysolutions.com](mailto:sales@vettedsecuritysolutions.com)

[VETTEDSECURITYSOLUTIONS.COM](http://VETTEDSECURITYSOLUTIONS.COM)

VETTED SOLUTIONS

# INTELLIGENCE-LED POLICING (ILP)

Vetted's ALPR retrofit kits are versatile and can be used on almost any public safety trailer. With the industry's most powerful license plate recognition technology, the Vetted retrofit kit provides law enforcement a unique opportunity to upgrade to the latest mobile ALPR platform, while avoiding the inconvenience and cost of replacing existing equipment. Available in two packages, Vetted is ready to update your system today.

## BASE ALPR KIT

### Features:

2 x Vigilant Reaper Cameras

Solid State Micro Intel i5 PC, USB3.0, Mini HDMI, 8GB DRAM,  
120GB SSD, WIN 10 64 Bit OS

Router/Modem for department provided air card

Micro Shutdown Controller

Garmin GPS

External Cell Antenna

Remote Shutdown System with Shutdown Script

Silicone Waterproof Keyboard with Touchpad

10.1" HDMI/DVI/VGA/AV Sunlight-Readable LCD Display Touchscreen Monitor

Custom ruggedized Waterproof enclosure with slide out monitor and keyboard  
mounts

**\*Designed to work with trailers already fit with a minimum of 200W solar and  
600Ah in battery capacity**



**CLK Tier Size**

Based on Total Number of LPR Cameras Owned

Tier 1 CLK	1 – 14 LPR Cameras	\$525 per Camera per Year
Tier 2 CLK	15 – 30 LPR Cameras	\$450 per Camera per Year
Tier 3 CLK	31 – 60 LPR Cameras	\$400 per Camera per Year
Tier 4 CLK	60+ LPR Cameras	\$275 per Camera per Year

**ILP Tier Size**

Based on Total Number of Sworn Officers (Quote includes CLK Fees)

*Mobile ILP*

Tier 1B	1 - 25 Sworn	(1) 3-LPR Mobile System	\$11,750
Tier 1A	26 – 50 Sworn	(1) 3-LPR Mobile System	\$15,250
Tier 1	51 – 100 Sworn	(1) 3-LPR Mobile System	\$18,750
Tier 2	101 – 200 Sworn	(2) 3-LPR Mobile System	\$34,250
Tier 3	201 – 500 Sworn	(3) 3-LPR Mobile System	\$55,250
Tier 4	501 – 1,000 Sworn	(4) 3-LPR Mobile System	\$84,750
Tier 5	1,001 – 1,500 Sworn	(5) 3-LPR Mobile System	\$117,495
Tier 6	1,501 – 2,000 Sworn	(6) 3-LPR Mobile System	\$144,495
Tier 7	2,001 – 2,500 Sworn	(7) 3-LPR Mobile System	\$185,000
Tier 8	2,501 – 5,000 Sworn	(8) 3-LPR Mobile System	\$292,500

*Fixed ILP*

Tier 1B	1 - 25 Sworn	3 Fixed LPR Cameras	\$22,250
Tier 1A	26 – 50 Sworn	3 Fixed LPR Cameras	\$25,750
Tier 1	51 – 100 Sworn	3 Fixed LPR Cameras	\$29,250
Tier 2	101 – 200 Sworn	6 Fixed LPR Cameras	\$55,250
Tier 3	201 – 500 Sworn	9 Fixed LPR Cameras	\$86,750
Tier 4	501 – 1,000 Sworn	12 Fixed LPR Cameras	\$126,750
Tier 5	1,001 – 1,500 Sworn	15 Fixed LPR Cameras	\$169,995
Tier 6	1,501 – 2,000 Sworn	18 Fixed LPR Cameras	\$207,995
Tier 7	2,001 – 2,500 Sworn	21 Fixed LPR Cameras	\$251,000
Tier 8	2,501 – 5,000 Sworn	24 Fixed LPR Cameras	\$369,000

**IDP Tier Size**

Based on Total Number of Sworn Officers

Tier 1B	1 - 25 Sworn	\$4,250
Tier 1A	26 – 50 Sworn	\$7,750
Tier 1	51 – 100 Sworn	\$11,250
Tier 2	101 – 200 Sworn	\$19,250
Tier 3	201 – 500 Sworn	\$32,750
Tier 4	501 – 1,000 Sworn	\$54,750
Tier 5	1,001 – 1,500 Sworn	\$79,995
Tier 6	1,501 – 2,000 Sworn	\$99,995
Tier 7	2,001 – 2,500 Sworn	\$125,000
Tier 8	2,501 – 5,000 Sworn	\$225,000

# Warranty

## *Fixed LPR*

1 Year Extended Warranty	
2 Year Extended Warranty	Includes 10% Discount
3 Year Extended Warranty	Includes 10% Discount
4 Year Extended Warranty	Includes 15% Discount

## *Mobile LPR*

1 Year Extended Warranty	
2 Year Extended Warranty	Includes 10% Discount
3 Year Extended Warranty	Includes 10% Discount
4 Year Extended Warranty	Includes 15% Discount

## *LPR Trailers*

1 Year Extended Warranty	
2 Year Extended Warranty	Includes 10% Discount
3 Year Extended Warranty	Includes 10% Discount
4 Year Extended Warranty	Includes 15% Discount



# Trailers



# MINI VMS LPR TRAILER



## THE VETTED MOBILE ALPR METRO SPEED TRAILER INCLUDES ALL HARDWARE LISTED BELOW.

It is designed to be rapidly deployed by a single officer with DOT approved trailer body complete with running lights and easily removable hitch for the security of your unit once deployed.

One power switch turns the entire system on and launches the software and Internet connection automatically, all the officer deploying has to do is aim the cameras and ensure he is getting good plate reads and the trailer is ready to go for active interdiction via the included Vigilant TAS client or for retention for analytical use later on.

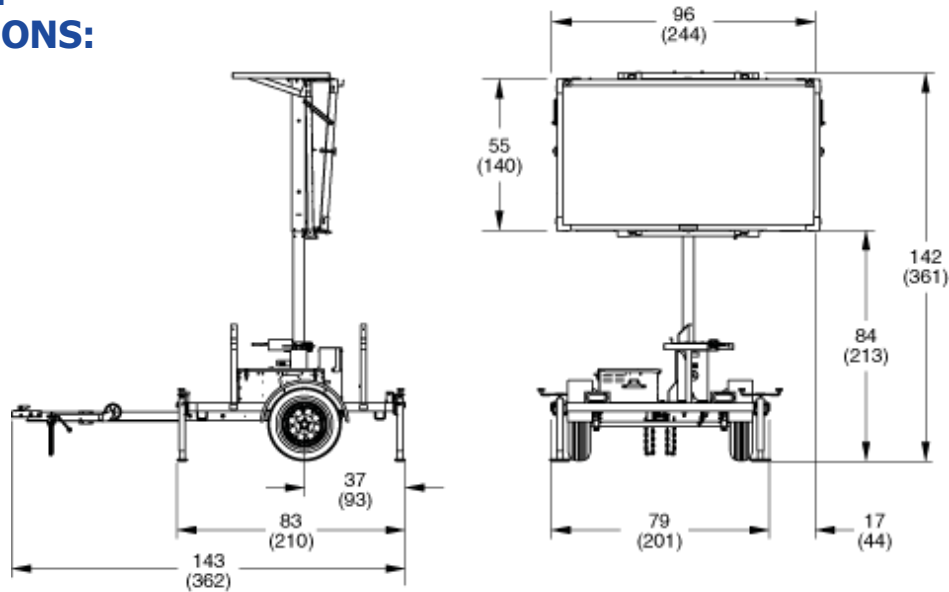
A micro solid-state PC featuring Windows 8.1 Pro OS and UltraVNC based monitoring software makes remote support for the trailer a breeze as communicating through the Pepwave Router remotely to the LEARN server takes any interaction with normal IT infrastructure to network infrastructure, i.e. Netmotion, Inmotion, etc. out of the equation. A guaranteed 7-day runtime on full charge makes our 2 Camera LPR Trailer an industry leader in rapidly deployable fixed LPR solutions.



### PRODUCT FEATURES:

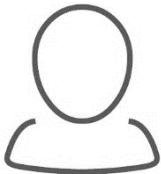
- 2 x Vigilant Reaper Cameras
- Solid State Micro Intel i5 PC, USB3.0, Mini HDMI, 8GB DRAM, 120GB SSD, WIN 10 64 Bit OS
- Router/Modem for department provided aircard
- Micro Shutdown Controller
- Garmin GPS
- External Cell Antenna
- Programmable LED Speed Sign
- Remote Shutdown System with Shutdown Script

## PRODUCT DIMENSIONS:



### AUTONOMY

The Vетted Metro VMS LPR Trailer power configurations allow for fully autonomous or long-term operation and contains 3 - 200AH 4D deep cycle batteries combined with multiple solar panel options.



### PORTABILITY

Compact and lightweight, the LPR trailer solution can be easily moved wherever the situation demands. Built with ease of deployment in mind, the trailer utilizes a simple manual lever lift system for 1-person setup.



### COMPLIANCE

The trailer employs a continuous welded steel frame design along with a white marine-grade powder coat finish. Both battery box and LPR controls are enclosed in separate, vented and locked cabinets. The trailer also comes with recessed taillights and DOT approved lighting, red/white reflective tape and anti-slip coating on all accessible frame steel.

## CONTACT US TODAY

PHONE: 727-440-3245

EMAIL: [sales@vettedsecuritysolutions.com](mailto:sales@vettedsecuritysolutions.com)

[VETTEDSECURITYSOLUTIONS.COM](http://VETTEDSECURITYSOLUTIONS.COM)



# METRO VMS LPR TRAILER



## THE VETTED MOBILE ALPR METRO SPEED TRAILER INCLUDES ALL HARDWARE LISTED BELOW.

It is designed to be rapidly deployed by a single officer with DOT approved trailer body complete with running lights and easily removable hitch for the security of your unit once deployed.

One power switch turns the entire system on and launches the software and Internet connection automatically, all the officer deploying has to do is aim the cameras and ensure he is getting good plate reads and the trailer is ready to go for active interdiction via the included Vigilant TAS client or for retention for analytical use later on.

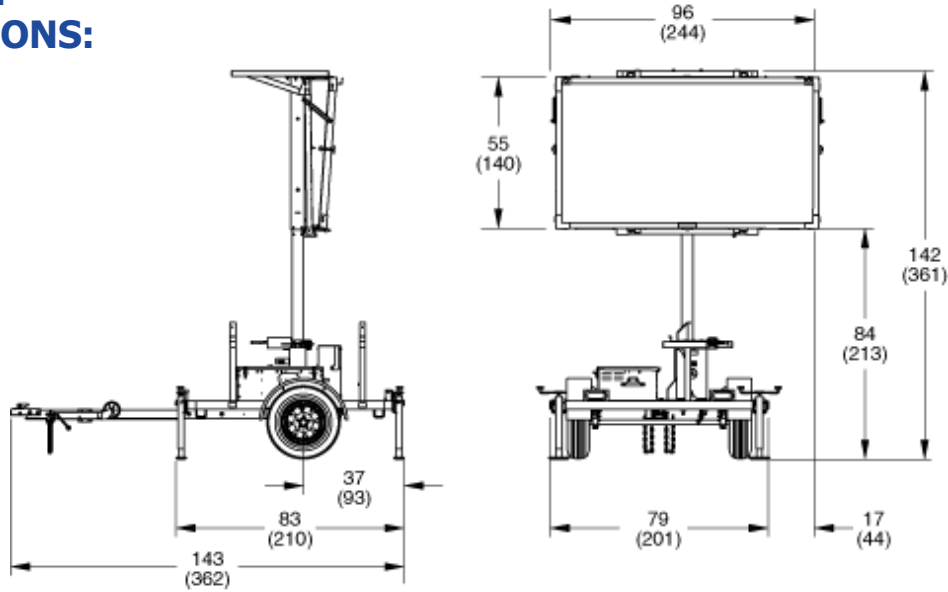
A micro solid-state PC featuring Windows 8.1 Pro OS and UltraVNC based monitoring software makes remote support for the trailer a breeze as communicating through the Pepwave Router remotely to the LEARN server takes any interaction with normal IT infrastructure to network infrastructure, i.e. Netmotion, Inmotion, etc. out of the equation. A guaranteed 7-day runtime on full charge makes our 2 Camera LPR Trailer an industry leader in rapidly deployable fixed LPR solutions.



### PRODUCT FEATURES:

- 2 x Vigilant Reaper Cameras
- Solid State Micro Intel i5 PC, USB3.0, Mini HDMI, 8GB DRAM, 120GB SSD, WIN 10 64 Bit OS
- Router/Modem for department provided aircard
- Micro Shutdown Controller
- Garmin GPS
- External Cell Antenna
- Programmable LED Speed Sign
- Remote Shutdown System with Shutdown Script

## PRODUCT DIMENSIONS:



### AUTONOMY

The Vetted Metro VMS LPR Trailer power configurations allow for fully autonomous or long-term operation and contains 3 - 200AH 4D deep cycle batteries combined with multiple solar panel options.



### PORTABILITY

Compact and lightweight, the LPR trailer solution can be easily moved wherever the situation demands. Built with ease of deployment in mind, the trailer utilizes a simple manual lever lift system for 1-person setup.



### COMPLIANCE

The trailer employs a continuous welded steel frame design along with a white marine-grade powder coat finish. Both battery box and LPR controls are enclosed in separate, vented and locked cabinets. The trailer also comes with recessed taillights and DOT approved lighting, red/white reflective tape and anti-slip coating on all accessible frame steel.

## CONTACT US TODAY

PHONE: 727-440-3245

EMAIL: [sales@vettedsecuritysolutions.com](mailto:sales@vettedsecuritysolutions.com)

[VETTEDSECURITYSOLUTIONS.COM](http://VETTEDSECURITYSOLUTIONS.COM)



# MINI VS METRO TRAILERS

Wanco variable message signs are the safest means for alerting motorists of changes in traffic patterns and road conditions. Ultra-bright and highly legible with a multitude of functions. These trailers are battery-powered solar assisted. Both the Mini Matrix and Metro trailers are energy efficient with superior performance. They are programmed, custom and MUTCD graphics and have the easiest programming in the industry.

## MINI MATRIX TRAILER:

- A smaller version (by 30%) of full-size signs
- Designed for areas where a full-size message sign may not fit
- Weighs less and can be towed by most vehicles
- Same features as full-size signs

## METRO TRAILER:

- Smaller than the Mini Matrix trailer
- Designed for use in urban areas where trailer size is a concern, traffic is heavy and space is limited
- Have the same legibility as other signs, and are easy to deploy in tight spaces



## CONTACT US TODAY

PHONE: 727-440-3245

EMAIL: [sales@vettedsecuritysolutions.com](mailto:sales@vettedsecuritysolutions.com)

[VETTEDSECURITYSOLUTIONS.COM](http://VETTEDSECURITYSOLUTIONS.COM)

# MOBILE ALPR TRAILER- 2 CAMERA SYSTEM



## THE VETTED MOBILE ALPR SPEED TRAILER INCLUDES ALL HARDWARE LISTED BELOW.

It is designed to be rapidly deployed by a single officer with DOT approved trailer body complete with running lights and easily removable hitch for the security of your unit once deployed.

One power switch turns the entire system on and launches the software and Internet connection automatically, all the officer deploying has to do is aim the cameras and ensure he is getting good plate reads and the trailer is ready to go for active interdiction via the included Vigilant TAS client or for retention for analytical use later on.

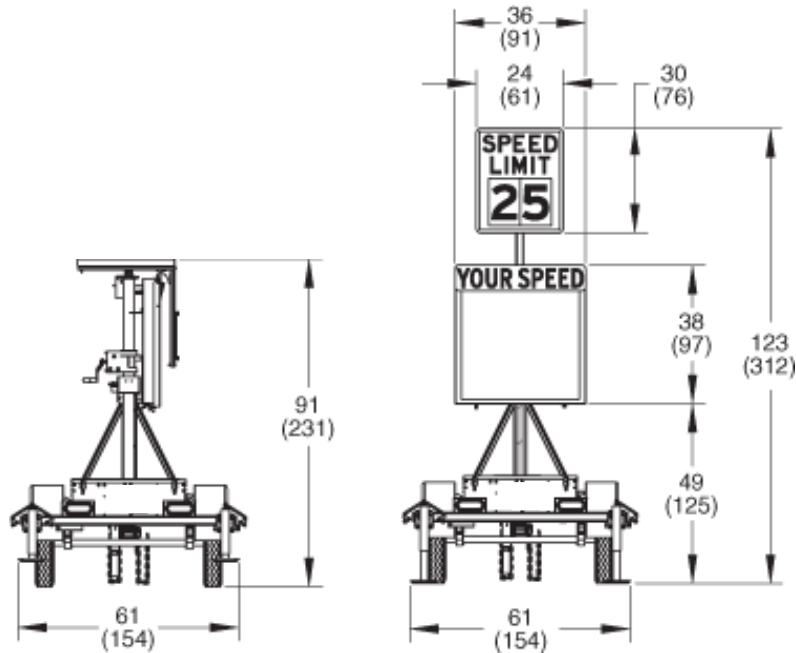
A micro solid-state PC featuring Windows 10 OS and UltraVNC based monitoring software makes remote support for the trailer a breeze as communicating through the Pepwave Router remotely to the LEARN server takes any interaction with normal IT infrastructure to network infrastructure, i.e. Netmotion, Inmotion, etc. out of the equation. A guaranteed 7-day runtime on full charge makes our 2 Camera LPR Trailer an industry leader in rapidly deployable fixed LPR solutions.



### PRODUCT FEATURES:

- 2 x Vigilant Reaper Cameras
- Solid State Micro Intel i5 PC, USB3.0, Mini HDMI, 8GB DRAM, 120GB SSD, WIN 10 64 Bit OS
- Router/Modem for department provided aircard
- Micro Shutdown Controller
- Garmin GPS
- External Cell Antenna
- Programmable LED Speed Sign
- Remote Shutdown System with Shutdown Script

## PRODUCT DIMENSIONS:



### AUTONOMY

The VETTED Mobile ALPR Trailer 2 Camera System's multiple power configurations allow for fully autonomous or long-term operation. The VETTED Mobile ALPR trailer contains 3 - 200AH 4D deep cycle batteries combined with multiple solar panel options.



### PORTABILITY

Compact and lightweight, the VETTED Mobile ALPR Trailer can be easily moved wherever the situation demands. Built with ease of deployment in mind, the trailer utilizes a simple manual lever lift system for 1-person setup.



### COMPLIANCE

The trailer employs a continuous welded steel frame design along with a white marine-grade powder coat finish. Both battery box and ALPR controls are enclosed in separate, vented and locked cabinets. The trailer also comes with recessed taillights and DOT approved lighting, red/white reflective tape and anti-slip coating on all accessible frame steel.

## CONTACT US TODAY

PHONE: 727-440-3245

EMAIL: sales@vettedsecuritysolutions.com

VETTEDSECURITYSOLUTIONS.COM



**VETTED**  
SECURITY SOLUTIONS

32



# 520W SELF-SUSTAINING LPR TRAILER



## THE VETTED 520W SELF-SUSTAINING LPR TRAILER INCLUDES ALL HARDWARE LISTED BELOW.

It is designed to be rapidly deployed by a single officer with DOT approved trailer body complete with running lights and easily removable hitch for the security of your unit once deployed.

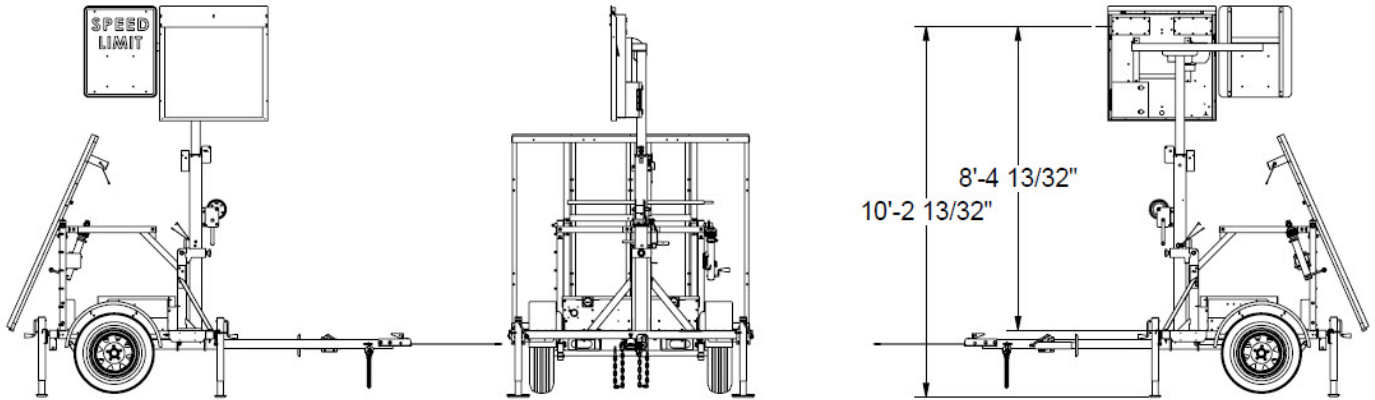
One power switch turns the entire system on and launches the software and Internet connection automatically, all the officer deploying has to do is aim the cameras and ensure he is getting good plate reads and the trailer is ready to go for active interdiction via the included Vigilant TAS client or for retention for investigative use later.

A micro solid-state PC featuring Windows Enterprise Pro OS and UltraVNC based monitoring software makes remote support for the trailer a breeze as communicating through the Pepwave Router remotely to the LEARN server takes any interaction with normal IT infrastructure to network infrastructure, i.e. Netmotion, Inmotion, etc. out of the equation. Our extended run speed trailer features 520W of solar and provides for an industry leader in rapidly deployable fixed LPR solutions.

### PRODUCT FEATURES:

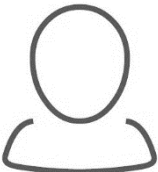
- 2 x Vigilant Reaper Cameras
- Solid State Micro Intel i5 PC, USB3.0, Mini HDMI, 8GB DRAM, 120GB SSD, Windows Enterprise
- Router/Modem for department provided aircard
- Micro Shutdown Controller
- Garmin GPS
- External Cell Antenna
- Programmable LED Speed Sign
- Remote Shutdown System with Shutdown Script

## PRODUCT DIMENSIONS:



### AUTONOMY

The 520-Watt Self-Sustaining LPR Trailer power configurations allow for fully autonomous or long-term operation, and contain 3 - 200AH 4D deep cycle batteries combined with multiple solar panel options.



### PORTABILITY

Compact and lightweight, the VETTED Self-Sustaining LPR Trailer can be easily moved wherever the situation demands. Built with ease of deployment in mind, the trailer utilizes a simple manual lever lift system for 1-person setup.



### COMPLIANCE

The trailer employs a continuous welded steel frame design along with a white marine-grade powder coat finish. Both battery box and LPR controls are enclosed in separate, vented and locked cabinets. The trailer also comes with recessed taillights and DOT approved lighting, red/white reflective tape and anti-slip coating on all accessible frame steel.

## CONTACT US TODAY

PHONE: 727-440-3245

EMAIL: sales@vettedsecuritysolutions.com

VETTEDSECURITYSOLUTIONS.COM



# VETTED LPR MOBILITY KITS

Vetted's LPR Mobility Kit utilizes up to four (4) dual-lens LPR cameras, each driven by advanced imaging and recognition algorithms to provide the most advanced mobile LPR system available. With a simple user interface, the Vetted Mobility Kit provides user focused functionality, but with sophisticated capabilities not available anywhere else.

This solution features a ruggedized hard protective case used for housing the cutting-edge Vigilant Solutions Mobile LPR Processing Unit, along with two (2) high powered fans ensuring maximum cooling throughout the unit when mounted in trunks or other spaces with restricted air flow. Quick and easy to move from one vehicle to another and comes with cigarette plug adapter. Agencies can purchase a single unit for the districts and rapidly deploy with a patrol vehicle when data collection in a hotspot or other area is needed.

## PRODUCT COMPONENTS:

- Hardened carrying case for processor
- 4 X External Camera Ports
- External LAN port for connection to local MDT
- Cigarette Power Plug
- 2 X High Powered cooling fans
- Camera Carrying Case\*

\* Denotes optional components



## CONTACT US TODAY

PHONE: 727-440-3245

EMAIL: sales@vettedsecuritysolutions.com

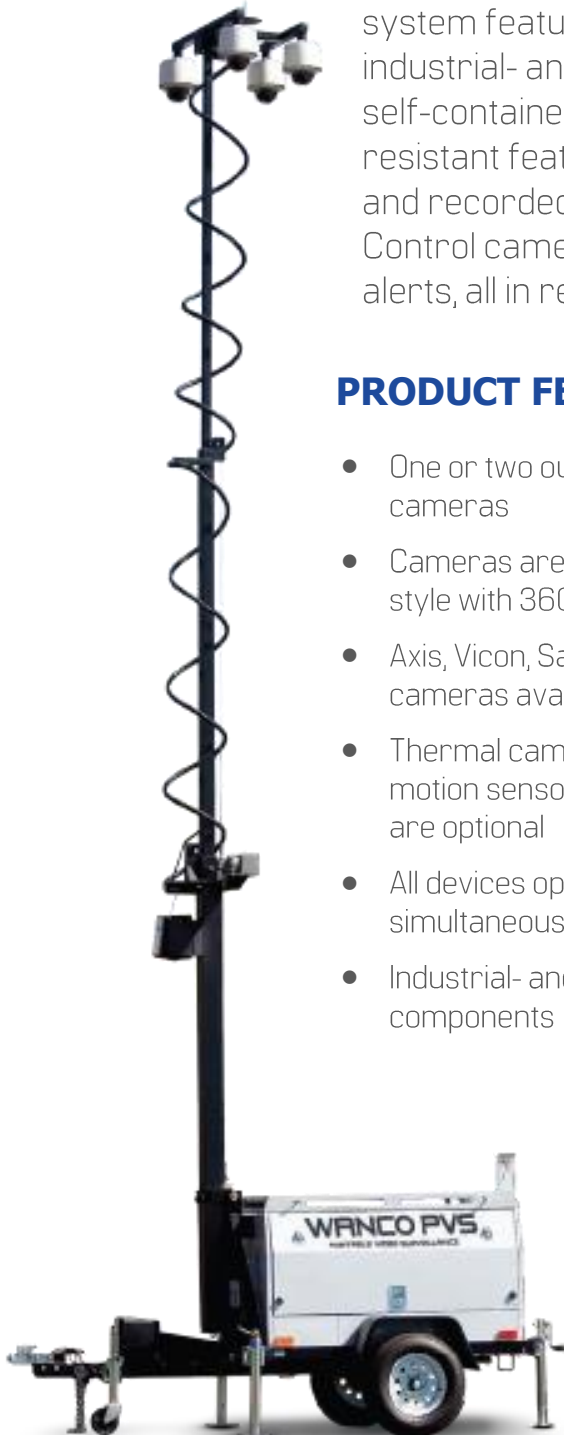
VETTEDSECURITYSOLUTIONS.COM

# SOLAR PVS SYSTEM

Vetted's Portable Video Surveillance (PVS) System provides remote site monitoring in a robust, self-contained unit. Rugged and dependable, this system features expanded capabilities with virtually any type of industrial- and military-grade components installed. The system is fully self-contained and self-sustaining, with onboard power, tamper-resistant features and wireless remote communications. Access live and recorded video remotely, or through the integrated control center. Control cameras and other devices, and receive programmed event alerts, all in real time.

## PRODUCT FEATURES:

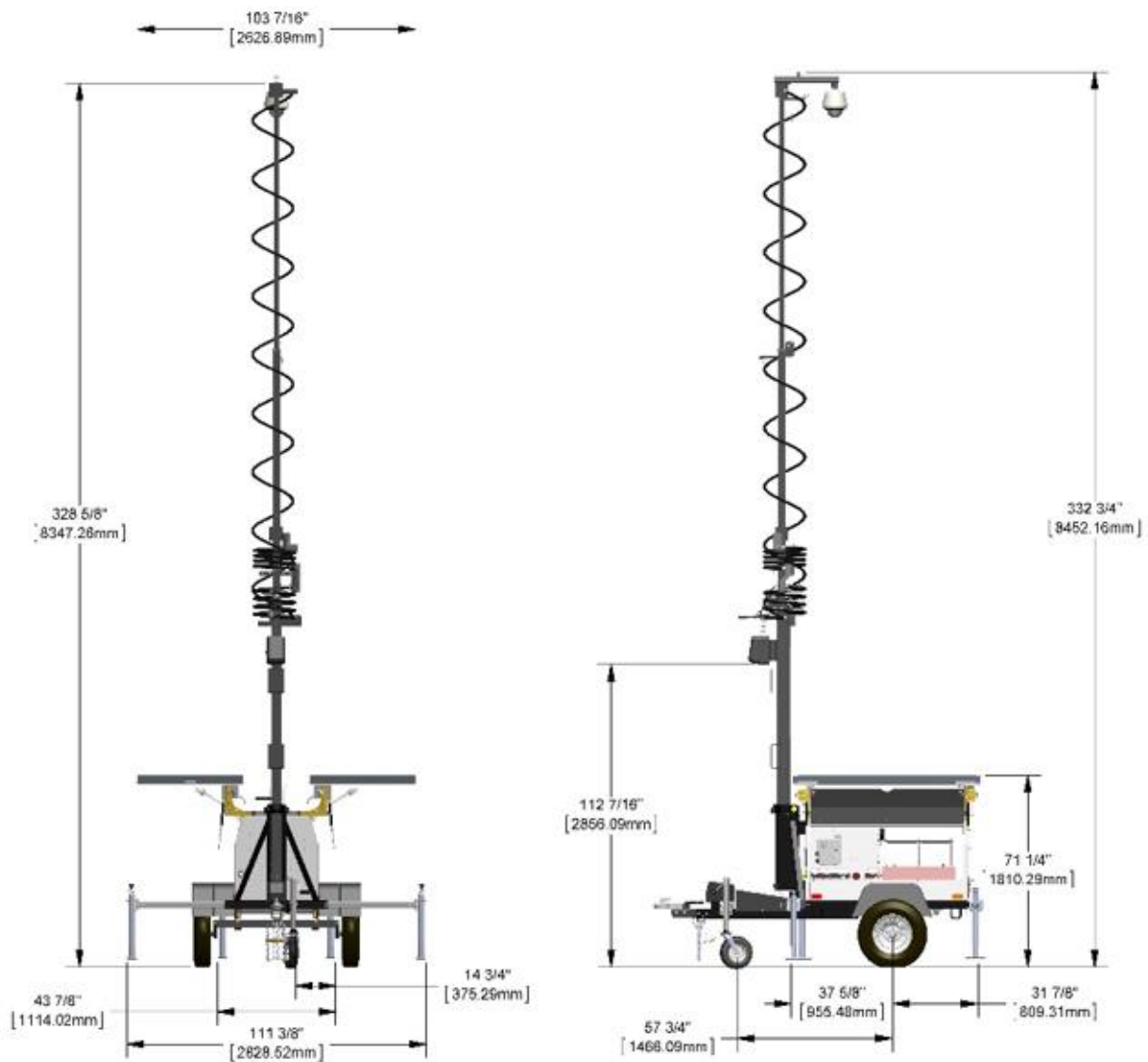
- One or two outdoor IP-network cameras
- Cameras are day/night PTZ dome style with 360° rotation
- Axis, Vicon, Samsung and other cameras available
- Thermal cameras, radar units, motion sensors and IR illumination are optional
- All devices operate independently or simultaneously
- Industrial- and military-grade components
- Onboard digital recording to solid-state NVR
- Secondary secure control cabinet houses 12-inch color monitor, keyboard and mouse
- High-speed 4G LTE/3G cellular modem\* with built-in GPS
- Multiple antenna types for the signal power and distance you need
- 30-foot telescoping pivoting tower with Nycoil cable protection
- No wires or cables accessible from ground level
- Electronics and power system housed in best-in-class steel enclosure with more than 16 individual locking points
- Maintenance-free sealed AGM batteries housed in tamper-resistant enclosure
- Solar array tilts and locks in place for optimum exposure



## KEY BENEFITS:

- Industry leading tamper-resistance
- Designed for use in unprotected areas
- Perfect for long-term deployments local and remote control provides unmanned 24/7 presence

## PRODUCT DIMENSIONS:



## CONTACT US TODAY

PHONE: 727-440-3245

EMAIL: sales@vettedsecuritysolutions.com

VETTEDSECURITYSOLUTIONS.COM



# MOBILE ALPR TRAILER RETROFIT KITS

Vetted's ALPR retrofit kits are versatile and can be used on almost any public safety trailer. With the industry's most powerful license plate recognition technology, the Vetted retrofit kit provides law enforcement a unique opportunity to upgrade to the latest mobile ALPR platform, while avoiding the inconvenience and cost of replacing existing equipment. Available in two packages, Vetted is ready to update your system today.

## BASE ALPR KIT

### Features:

2 x Vigilant Reaper Cameras

Solid State Micro Intel i5 PC, USB3.0, Mini HDMI, 8GB DRAM,

120GB SSD, WIN 10 64 Bit OS

Router/Modem for department provided air card

Micro Shutdown Controller

Garmin GPS

External Cell Antenna

Remote Shutdown System with Shutdown Script

Silicone Waterproof Keyboard with Touchpad

10.1" HDMI/DVI/VGA/AV Sunlight-Readable LCD Display Touchscreen Monitor

Custom ruggedized Waterproof enclosure with slide out monitor and keyboard mounts

**\*Designed to work with trailers already fit with a minimum of 200W solar and 600Ah in battery capacity**



# POWER UPGRADE KIT

## Features:

All Base ALPR Kit components

Up to 300W of top of the line Monocrystalline Solar Power

Up to 4 – 12v 200AH 4D Deep Cycle AGM Solar Batteries

Charging System

**\*Number of batteries and additional solar is determined on a case-by-case basis to meet minimum power capacity requirements.**

## Additional Options:

[Available upon Request]

CCTV Cameras

Red and Blue LED strobe lights

Axle lock

Hitch Lock

Swivel Trailer Tongue Jack



CONTACT US TODAY

PHONE: 727-440-3245

EMAIL: [sales@vettedsecuritysolutions.com](mailto:sales@vettedsecuritysolutions.com)

[VETTEDSECURITYSOLUTIONS.COM](http://VETTEDSECURITYSOLUTIONS.COM)





# THE REAL TIME CRIME CENTER

GAIN INSTANT INFORMATION TO HELP IDENTIFY  
PATTERNS AND STOP EMERGING CRIME.





---

**“IT’S NOT THE FIRST  
48 HOURS ANYMORE.  
IT’S THE FIRST  
48 MINUTES.”**

*- Vetted Security Solutions Customer*

---

A Real-Time Crime Center (or RTCC) can employ, manage and report on voice, video and data inputs and translate that data into critical intelligence. The critical intelligence gained from a RTCC is dispatched directly to law enforcement officers (and often emergency personnel) for a more informed, proactive and faster response. This lightning-fast intelligence helps keep officers safe, provides leads and dispenses information hours, days and even weeks faster than before.

# REAL-TIME CRIME CENTER (RTCC) IN ACTION

OUR DEDICATED TEAM HAS DECADES OF COMBINED EXPERIENCE IN RTCC BUILDS AND DEPLOYING THE HARDWARE ASSETS THAT ENABLE YOUR SECURITY INITIATIVES.



## WHAT IS A RTCC?

RTCC employs, manages and reports on voice, video and data inputs. This data is translated by analysts into critical intelligence. Intelligence produced from a RTCC is dispatched directly to law enforcement officers (and often emergency personnel) providing actionable intelligence in real-time. This lightning-fast intelligence helps keep officers safe, provides leads and dispenses information hours, days, and even weeks faster than before.



## BUILDING A VETTED COMMAND CENTER

As a licensed general contractor and electrical contractor, Vetted specializes in high tech integrations and ground-up builds for every aspect of a RTCC. To build a Command Center, our team of design engineers and SME's work with your agency to create a 3D rendering that optimizes your layout. This rendering will enable us to support your agency while we build and execute deployment plan through the final roll out.



## OPERATING A VETTED COMMAND CENTER

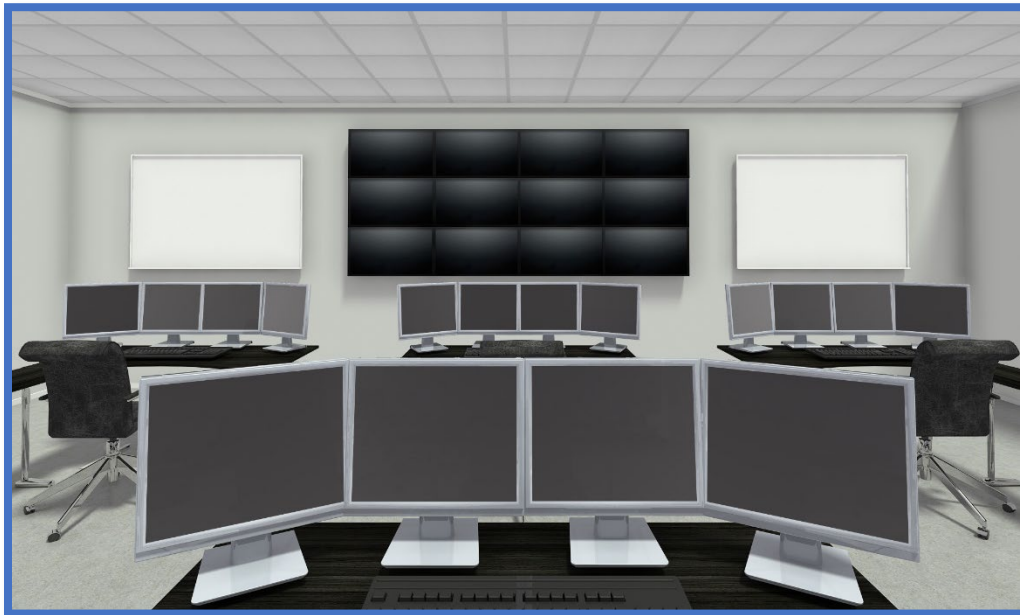
Inside a Vetted Command Center, intelligence analysts, detectives and law enforcement personnel can utilize Vetted Security Solution's software – headlined by Motorola Solutions' Command Central Aware Line – to monitor multiple sets of data from assets deployed in the field.

Utilizing Hiperwall as a software-based video controller allows for a scalable solution that is built to grow with your agency's needs. License plate readers, CCTV with intelligent analytics and facial recognition provide meaningful data that is actionable. Using this information, they can coordinate law enforcement units in the field for a proactive approach to policing. Real-time alerting and intelligent machine learning analytics send criminals running before they carry out their crimes.

# REAL TIME CRIME CENTERS (RTCC)

**GAIN INSTANT INFORMATION TO HELP IDENTIFY PATTERNS AND STOP EMERGING CRIME.**

A Real-Time Crime Center (or RTCC) can employ, manage and report on voice, video and data inputs and translate that data into critical intelligence. The critical intelligence gained from a RTCC is dispatched directly to law enforcement officers (and often emergency personnel) for a more informed, proactive and faster response. This lightning-fast intelligence helps keep officers safe, provides leads and dispenses information hours, days and even weeks faster than before.



## **PARTNERS:**

Motorola Solutions

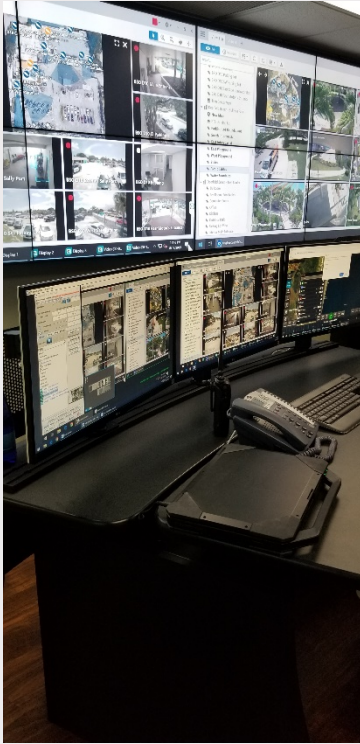
Avigilon

Briefcam

Hiperwall

Vigilant Solutions

Live Earth



## WHAT IS A RTCC?

RTCC employs, manages and reports on voice, video and data inputs. This data is translated by analysts into critical intelligence. Intelligence produced from a RTCC is dispatched directly to law enforcement officers (and often emergency personnel) providing actionable intelligence in real-time. This lightning-fast intelligence helps keep officers safe, provides leads and dispenses information hours, days, and even weeks faster than before.

## BUILDING A VETTED COMMAND CENTER

As a licensed general contractor and electrical contractor, Vetted specializes in high tech integrations and ground-up builds for every aspect of a RTCC. To build a Command Center, our team of design engineers and SME's work with your agency to create a 3D rendering that optimizes your layout. This rendering will enable us to support your agency while we build and execute deployment plan through the final roll out.



## OPERATING A VETTED COMMAND CENTER

Inside a Vetted Command Center, intelligence analysts, detectives and law enforcement personnel can utilize Vetted Security Solution's software – headlined by Motorola Solutions' Command Central Aware Line – to monitor multiple sets of data from assets deployed in the field. Utilizing Hiperwall as a software-based video controller allows for a scalable solution that is built to grow with your agency's needs. License plate readers, CCTV with intelligent analytics and facial recognition provide meaningful data that is actionable. Using this information, they can coordinate law enforcement units in the field for a proactive approach to policing. Real-time alerting and intelligent machine learning analytics send criminals running before they carry out their crimes.

## CONTACT US TODAY

PHONE: 727-440-3245

EMAIL: [sales@vettedsecuritysolutions.com](mailto:sales@vettedsecuritysolutions.com)

[VETTEDSECURITYSOLUTIONS.COM](http://VETTEDSECURITYSOLUTIONS.COM)

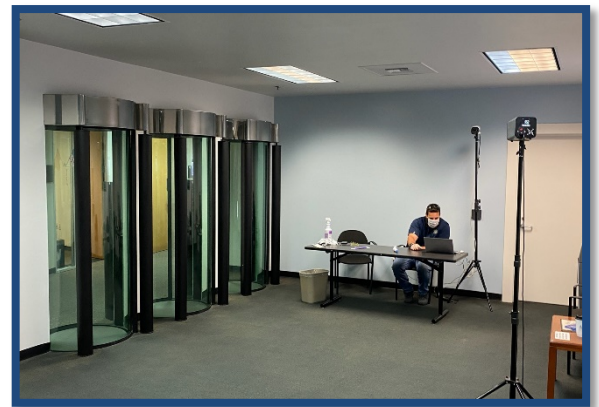


# Thermal Cameras



# THERMAL BODY TEMPERATURE MEASUREMENT

Vetted Security Solutions presents the industry's latest thermal camera, which is capable of highly accurate body temperature measurement  $\pm 0.3^{\circ}\text{C}$  [with blackbody]. With built-in AI algorithm, this ground-breaking technology helps identify symptoms of illness and provides an opportunity for social separation, documentation and inspection.



## Applications



Airport



Transportation

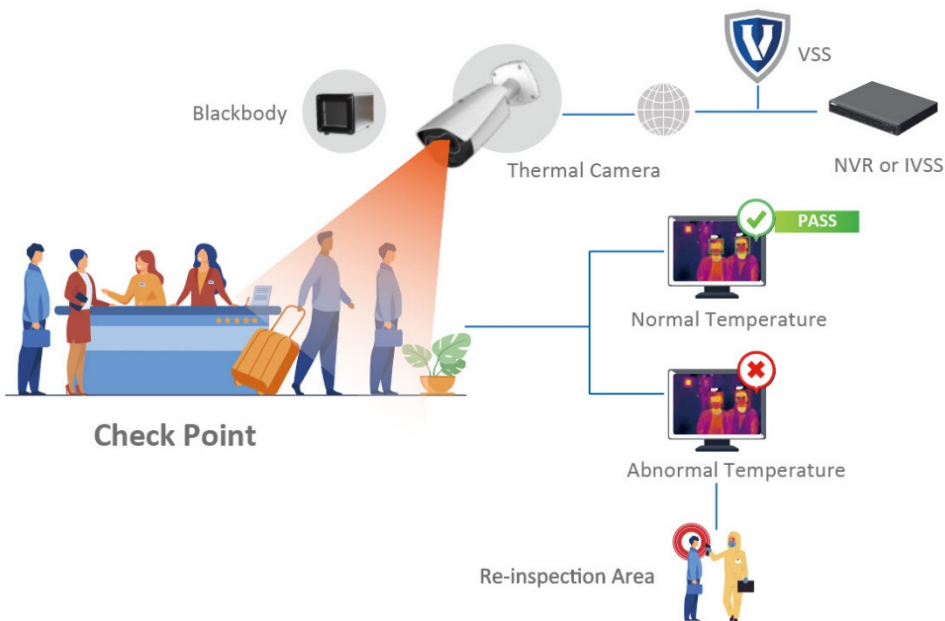


Correctional



Schools

# System Overview



## PRODUCT FEATURES:

- Accurate temperature measurement, safe and effective
- Non-contact screening, fast pass
- Multi-person measurement, efficient access
- Visual abnormal alert to facilitate back-tracking
- Non-mask detection for the intelligent control

# Product Overview



## VSS-HTM-KIT

Thermal: 256\*192, 7mm

Visible: 2MP, 8mm

Thermal Camera Kit w/ Tripod, Black Body Temperature Box, Human Temperature Monitoring Licensing, Laptop w/ Power Supply, Dual 25ft Cat 5 Cable, POE Injector

## CONTACT US TODAY

PHONE: 727-440-3245

EMAIL: [sales@vettedsecuritysolutions.com](mailto:sales@vettedsecuritysolutions.com)

[VETTEDSECURITYSOLUTIONS.COM](http://VETTEDSECURITYSOLUTIONS.COM)



# Mobile Command Centers





# MERC

MOBILE EMERGENCY RESPONSE CENTER®

THE MOBILE COMMUNICATIONS NETWORK  
ANYTIME  
ANYWHERE



15501 STATE HWY 205  
TERRELL, TEXAS 75160  
TOLL FREE (USA ONLY)  
1-877-772-2721  
WWW.COMPREHENSIVECOM.NET



Comprehensive  
Communication  
Services

# MOBILE EMERGENCY RESPONSE CENTER® (MERC)

Comprehensive Communication Services (CCS) has been providing mobile communication solutions for our customers since 2007. CCS is unique to the industry because we not only manufacture the mobile vehicle or trailer platform that transports the communication equipment, but CCS also does all the communication installation and integration work for these mobile solutions. From large 50 foot Mobile Emergency Response Centers (MERC) that serve as a mobile office to a small tactical MERC that can be air lifted to a disaster site, CCS can address any customer's specific requirements.

The real value of these mobile solutions is the communication equipment that is installed and integrated into the MERC. CCS technicians are experts at VSAT auto acquire satellite technology, 4G & LTE integration including Band 14, land mobile radio equipment, WiFi, interoperability, Hosted VoIP and SIP phone service, Off-Grid communications, HD satellite broadcast services, Mutualink Incident Response software, UAV integration, video surveillance equipment, mobile generator power, and alternative energy options including solar and wind turbines.

## Mobile Emergency Response Center

CCS manufactures our own line of mobile command centers that are trademarked; the Mobile Emergency Response Center. There are over 200 MERC units deployed across North and South America. The MERC unit can be ordered in several different configurations allowing them to serve as a large climate controlled office space or as a small tactical unit that can be easily transported through the busy streets of New York City or Lima, Peru.

## Standard Features

Regardless of the size of the MERC unit, they all have some common features:

- Mobile generator for power
- VSAT satellite for network connectivity anywhere in the world
- Pneumatic mast for placing antennas and cameras in the air for extended coverage
- Climate control system for electronics and/or workers
- IT rack space for installing required communication equipment



## Communication Packages

CCS supports multiple telecom providers and platforms including:

- Motorola, Harris, and Tait Radios
- IP Access Satellite Service
- General Dynamics, AVL, Cobham, and C-COM satellites
- iDirect satellite modems
- General Dynamics LTE equipment
- Avaya, Cisco, and Polycom IP Phones
- Mutualink Incident Response Platform
- Raytheon ACU Product Line
- Cummins Onan and MQ Generators
- Newline Touchscreens
- Sonim Push-to-Talk Solutions
- CradlePoint and Sierra Wireless LTE devices
- Bearcom Wireless & Video Solutions
- Cisco data and networking equipment
- Dell Computers and Monitors

And many more technology offers



**Comprehensive  
Communication  
Services**

15501 STATE HWY 205  
TERRELL, TEXAS 75160  
TOLL FREE (USA ONLY)  
1-877-772-2721

WWW.COMPREHENSIVECOM.NET

# MERC-UASC

## MOBILE EMERGENCY RESPONSE CENTER® UNMANNED AERIAL SYSTEM CARRIER

The unit is designed to streamline the storage and deployment of small unmanned aerial systems. The MERC allows the pilot to sit at a custom designed cockpit and fly the vehicle from inside the climate controlled trailer, while still maintaining line of sight. The platform is a small light weight bumper pull single axle trailer. The unit is equipped with a Cummins Onan Quiet 5,000 watt generator and a 30 gallon fuel tank mounted on the tongue of the trailer. The walls of the trailer will be constructed of .063 white aluminum with a locking side access door. The rear portion of the trailer is constructed of a scratch resistant Plexiglas to allow a wide look angle for a pilot seated inside the trailer. The interior of the trailer is climate controlled by an 8,000 BTU AC unit and a baseboard heater. A custom cockpit is installed at the rear of the unit to provide the placement and connectivity for all on board flight control and assist electronics. There are three fold-down launching pads that can be used for takeoff and landings, as well as a slide-out work bench to prep the units for flight.



15501 STATE HWY 205  
TERRELL, TEXAS 75160  
TOLL FREE (USA ONLY)  
1-877-772-2721  
WWW.COMPREHENSIVECOM.NET



Comprehensive  
Communication  
Services

# MOBILE EMERGENCY RESPONSE CENTER® - UNMANNED AERIAL SYSTEM CARRIER

## (MERC-UASC)



### Rack Mount Equipment

A 19 inch IT rack will be mounted to the front wall to provide rack space for network connectivity equipment. This will include an onboard UPS system to provide a clean power and a backup battery system for these electronics.

A 1.2 Meter auto acquire satellite equipped with a 6 watt BUC, Norsat LNB, a Cobham controller, and iDirect X7 modem will be provided with the trailer. This unit will provide a 20 mbps down and 5 mbps up network connection to the unit. This network connection will work anywhere in North America and will serve as a backup network in the event an LTE network is not available.

An LTE router will be installed in the equipment rack and will provide LTE connectivity for the unit to allow communications and live streaming of the UAS video. This is a dual sim unit which will allow SIM cards from two different carriers. It will also provide an input from the satellite link. The system will use a load balancing algorithm to select the most robust network connection. A panorama LTE/WiFi antenna will be installed on the roof of the unit to provide better reception and transmit capabilities.

A Mutualink IWS system will be installed in the rack with a MultiNic to allow for interoperability between other onsite First Responders and the ability to easily share the drone video feed.

### Cockpit Equipment

- Live weather with high-precision 5-in-1 wireless weather sensors to accurately measure temperature, humidity, wind speed, wind and rain direction, and also monitor temperature from the illuminated color display. Programmable weather alarms for temperature, humidity, wind, rain, dew point, heat index and storm alerts, as well as email and text alerts to notify you when conditions change or your presets are reached.
- Automated P.A. based Takeoff and Landing Announcements for personnel within the area.

#### Activated with Footswitches

- 100-Watt Siren System.

#### Long Range Audio Warning System

- Dual Android tablets with keyboards
  - Support for different apps to augment the mission
  - Weather Radar
  - ADS-B software defined radio for real-time air traffic tracking
  - Avare Sectional Maps and Navigation
  - Arcgis Visualize it FAA UAD Data Maps
  - Airmap with LAANC
- VHF mobile and portable radio with Interoperability frequencies

#### Mobile is Installed for RPIC and Portable for Visual Observer Outside the Unit

- All Band Receiver
  - Aircraft band monitoring
  - NWS VHF band monitoring
  - HF SSB bands
- Magnetic Compass
- Dash mounted stopwatch
- Outside Intercom system

#### Communicate with and monitor audio from outside the unit

- Aircraft Intercom System with Headset connected to all systems to monitor multiple audio sources with individual volume controls

Footswitch for VHF radio PTT for handsfree radio communications



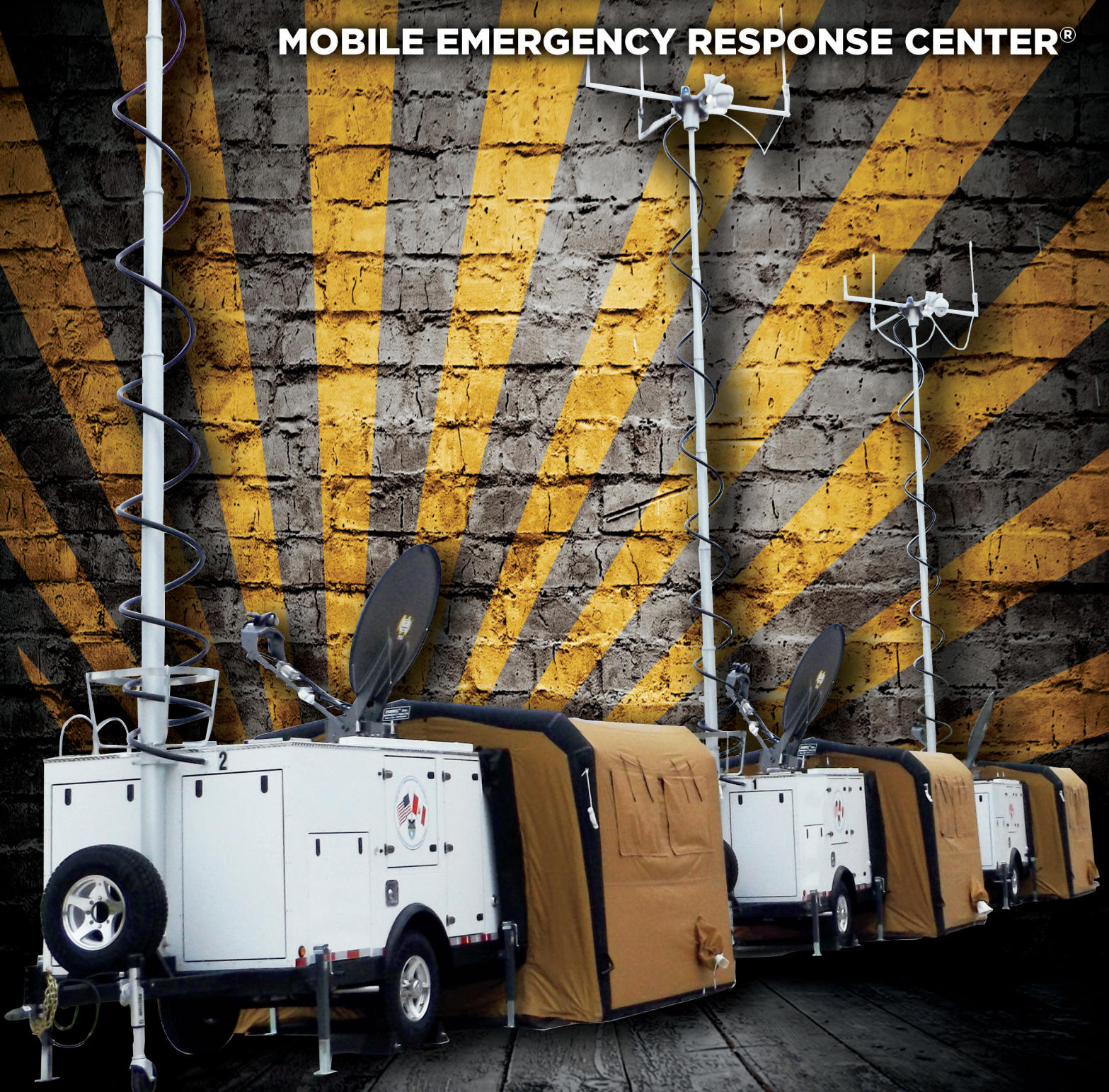
Comprehensive  
Communication  
Services

15501 STATE HWY 205  
TERRELL, TEXAS 75160  
TOLL FREE (USA ONLY)  
1-877-772-2721

WWW.COMPREHENSIVECOM.NET

# MERC Lite

MOBILE EMERGENCY RESPONSE CENTER®



15501 STATE HWY 205  
TERRELL, TEXAS 75160  
TOLL FREE (USA ONLY)  
1-877-772-2721  
WWW.COMPREHENSIVECOM.NET



Comprehensive  
Communication  
Services

# MOBILE EMERGENCY RESPONSE CENTER® (MERC) Lite

The MERC Lite is a small, but powerful mobile power and communication trailer that is designed to provide a fully operational voice, data, LTE, and radio network within 15 minutes of deployment.

This tactical trailer weighs less than 5,000 pounds and is compact enough to be towed by most standard vehicles, air lifted, or loaded in a transport plane for delivery.

The MERC Lite can be deployed in areas where larger command center trailers and vehicles can not travel. The MERC Lite is also more suitable for densely populated urban areas with narrow streets and limited parking.

The MERC Lite is powered by a Cummins Onan 12,000 watt Quiet Diesel generator with a 80 gallon fuel tank. A VSAT auto acquire satellite system allows it to offer network access anywhere in the world providing not only internet service and data access, but also Hosted VoIP and SIP service for two way voice service.

A 30 to 45 foot pneumatic mast equipped with removable antenna arms provides a platform to mount antennas for land mobile radios and repeaters, cellular extender antennas, wireless LAN/WAN antennas, weather station equipment, television antennas, commercial LTE, Band 14, HAM radio antennas, and video surveillance equipment. A 360-Track GPS system provides remote monitoring of the MERC Lite for location tracking purposes and attempted theft alerts.

The MERC Lite is equipped with a climate controlled equipment cabinet that houses three 21u equipment racks mounted on air bags. A locking middle storage compartment allows communication and other necessary equipment to be transported with the unit. A custom manufactured 10X10X8 inflatable shelter can be secured around the rear of the trailer to provide complete access to all three equipment racks from inside the shelter. The equipment cabinet space is climate controlled by a rack mounted 7,000 BTU heating and ac unit installed in the bottom of the center rack.

The shelter provides mobile office space for up to 7 users, but can be stored in a small storage bag on a cargo carrier for easy transport.



15501 STATE HWY 205  
TERRELL, TEXAS 75160  
TOLL FREE (USA ONLY)  
1-877-772-2721  
WWW.COMPREHENSIVECOM.NET



Comprehensive  
Communication  
Services



EXTERIOR MERC PICTURES



EXTERIOR MERC PICTURES



Tactical MERC Lite and MERC Mini Units



Tactical MERC Lite and MERC Mini Units



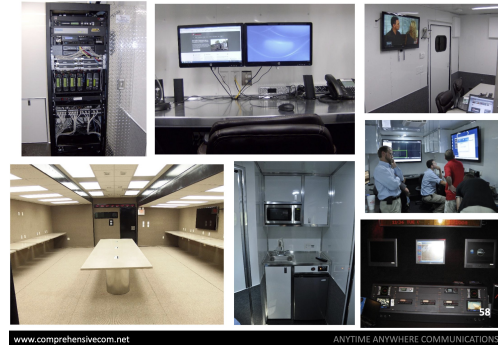
Sample Interior Pictures



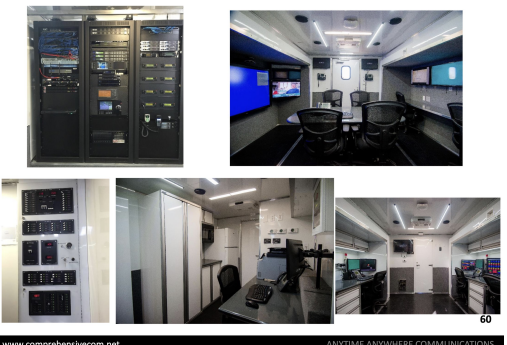
Sample Interior Pictures



Sample Interior Pictures



Sample Interior Pictures



# Video Analytics & Software







# PROSPECTUS

---

FINDER IS A VETTED SECURITY SOLUTIONS COMPANY

11315 Corporate Blvd., Suite 110 Orlando, FL 32817  
[www.findersoftware.com](http://www.findersoftware.com) | [admin@findersoftware.com](mailto:admin@findersoftware.com)

# FINDER INTRODUCTION



**“  
INFORMATION IS POWER,  
AND OUR PRODUCTS AND SERVICES  
DELIVER THAT POWER.  
”**

FINDER is a vendor neutral, distributed law enforcement records sharing system. It allows law enforcement agencies to share a variety of information including: arrest citations, booking photos, CAD data and any requested data sets (ALPR, Gunshot detection, etc.) with other participating law enforcement agencies. These records are shared after being translated into a shared, "FINDER-parsed" format.

The FINDER network has been in place in Florida since 2003 and currently has over 180 agencies sharing data and more than 50 additional state, federal and other agencies querying the system. Users continue to report hundreds of successes every year including arrests made, stolen property recovered, suspects identified, missing information obtained, and even lost individuals returned home through the use of FINDER. Undoubtedly, many more successes go unreported.

FINDER IS A VETTED SECURITY SOLUTIONS COMPANY

# FINDER FEATURES



- Mapping
- Enhanced Single Line Search
- Watch Lists to be notified automatically of future hits
- Link Analysis shows relationship between persons and events.
- Cross reference persons, vehicles and pawn/scrap records in one system
- Compound queries with multiple search criteria
- Frequent Pawners and Scrappers report
- Search multiple types of records including pawn, incident reports; accident reports; traffic citations; FIRS; jail records; CAD records; and any other records shared by participating agencies and regional systems
- Search by numerous fields related to persons
- Search by numerous fields related to vehicles
- Export search results into spreadsheets
- Ability to add any additional data set needed
- Success tagging gives users a place to record information related to investigations aided by FINDER searches (ie. number of arrests made, dollar value of property recovered, cases solved, people located, etc.). These results can be exported to a spreadsheet and used to collect empirical data and track how well the FINDER system is working for your agency.
- Billboard feature allows agency administrators to flash important messages to users

FINDER IS UNANIMOUSLY ENDORSED BY THE FLORIDA SHERIFFS ASSOCIATION AND THE FLORIDA POLICE CHIEFS ASSOCIATION.

FINDER IS A VETTED SECURITY SOLUTIONS COMPANY

# FINDER FACTS



**FINDER** is the acronym for **Federated Integrated Network for Data Exchange & Retrieval**.

## **Distributed, Federated Architecture**

FINDER does not warehouse data; your agency's data remains at your agency. FINDER provides an interface to allow other agencies to have access to your information, while leaving you in control of your data. (However, FINDER can be implemented for data warehouses which require data storage at a specific law enforcement agency.)

## **LEXS-SR Compliant**

FINDER is designated to meet the technological directives established by the federal government for sharing law enforcement data. This ensures a path to future expansion.

## **Over 200 Agencies Participating**

Agencies that are part of the FINDER network are not just users of the system, they are the system! From the largest sheriff's offices to the smallest police departments, every participating agency has the ability to share their information with others on the FINDER network.

## **Agency Users on FINDER**

There are no "per user" charges and no limits on the number of users within an agency.

---

FINDER IS A VETTED SECURITY SOLUTIONS COMPANY

11315 Corporate Blvd., Suite 110 Orlando, FL 32817  
www.findersoftware.com | admin@findersoftware.com

# FINDER SERVER SPECIFICATIONS



FINDER can run on most systems, but it will run only as well as the agency system on which it's placed. Minimal hardware specifications for a FINDER server are:

- Server class computer (at least 2 cores)
- 8 GB RAM or higher
- 100 GB hard disk or higher- RAID 1 or 5 recommended (>300 GB for larger agencies)
- Network interface (2 interfaces may be needed at some locations)
- Hardware Security Module (TPM) recommended
- Warranty
- Microsoft Windows 2012 R2 Standard or higher (Per processor licensing mode)
- Microsoft SQL 2014 SP3 Express edition with Advanced Services or higher (Free download)(Per processor licensing mode)
- Microsoft .Net 3.5 & 4.7.2(Free download)
- IIS installed and running (Part of Windows server)
- Anti-Virus/system security software with subscription
- All the latest security patches and server packs installed
- Any required third party ODBC compliant drivers for RMS connectivity

If your agency wishes to install FINDER on a Virtual Server:

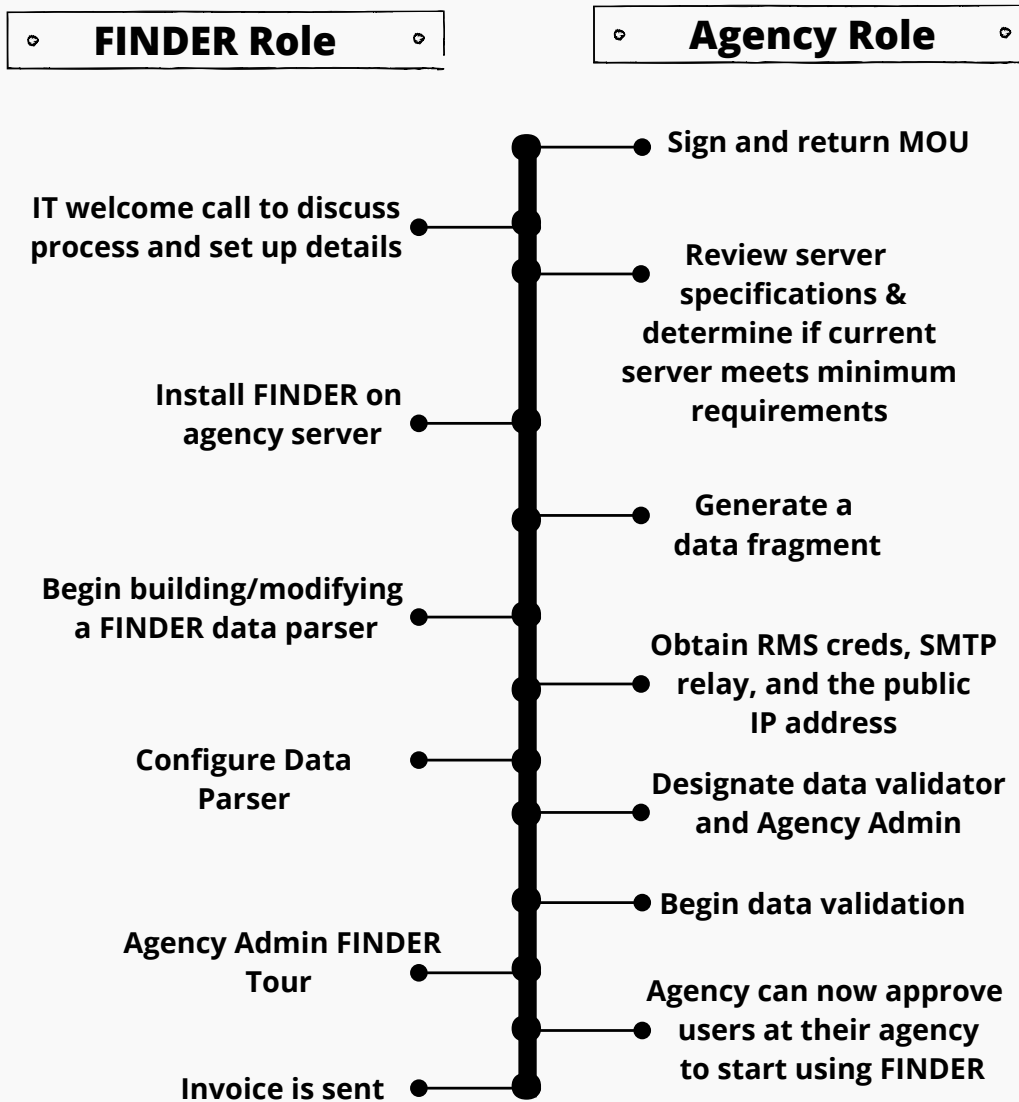
- There is no additional setup or configuration if your virtual server meets the minimum server specifications described above and is CJIS compliant
- A shared server is permitted as long as the system is secure and the FINDER application functions reliably.

FINDER IS A VETTED SECURITY SOLUTIONS COMPANY

# FINDER FLOWCHART



Necessary steps to get FINDER data sharing installed and running at your agency.



FINDER IS A VETTED SECURITY SOLUTIONS COMPANY

# FINDER WHAT OUR CLIENTS ARE SAYING



"Finder allows all 500 Officers in our Department access to every police data base in Finder. This information is web based and allows street officers and investigators immediate access from their vehicle tablets on information only found in Department Records Management Systems (RMS) this reduces the investigation time used in developing and following up on leads. We share our RMS and have read access to every Police Department's RMS at our fingertips. This partnership and collaboration is invaluable and the least expensive module of software we are using in the Department. Thanks Finder!"

**Mark McMurray**  
Chief of Police  
City of Huntsville

---

"I like having the ability to cross-reference person, vehicles (including tags), and property with other agencies. This expedites the process; detectives used to have to call several law enforcement agencies and speak with several persons in order to learn whether or not they had any intelligence of value. FINDER is a very cost effective way of sharing law enforcement information with sister agencies."

**Lt. Chad Parker**  
Collier County Sheriff's Office

---

"We've been involved with FINDER since the beginning. We were an early supporter of FINDER because I believe that information is an absolute necessity in law enforcement. Crime is trans-jurisdictional and when agencies can collaborate and share information, it can significantly aid in solving crimes"

**Sheriff Donald Eslinger (ret.)**  
Seminole County Sheriff's Office

FINDER IS A VETTED SECURITY SOLUTIONS COMPANY

# FINDER FINDERPAWN



FINDERPawn is the web-based pawn tracking system that integrates into FINDER. Through this platform, any law enforcement user can search for frequent pawners and pawn history. This data set has proven to be invaluable within the FINDER platform for identifying stolen property and solving crimes.

## **FINDERPawn Benefit for Law Enforcement**

- User Friendly screens
- Law enforcement agencies manage their users and control access rights
- Shop compliance and reporting tools
- Automated FCIC/NCIC stolen property checks
- Full integration with FINDER for simultaneous searching of persons and property
- View pawn, secondhand and scrap metal transactions from other participating FINDER agencies
- Frequent Pawners and Scrappers Report (in FINDER)
- Output files can be generated for all transactions

## **FINDERPawn Benefit for Pawn Shops**

- User Friendly screens
- Ability to automatically calculate finance charges on pawn loans
- Ability to search and edit previously entered tickets
- Shops can create and manage their users
- Stores with multiple locations can do bulk uploads of their stores' transactions via FTP
- Reports data to the law enforcement agency of jurisdiction for compliance with state or local laws
- No cost for shops reporting to participating FINDER agencies

FINDER IS A VETTED SECURITY SOLUTIONS COMPANY



# FINDER ETL-EXTRACT, TRANSFORM, LOAD



“

**INNOVATIVE SOLUTIONS  
FOR LAW  
ENFORCEMENT DATA**

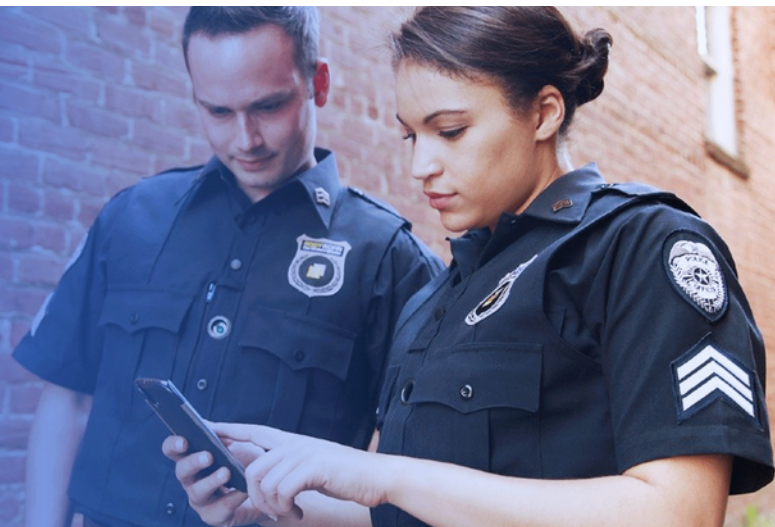
”

FINDER, LLC also offers custom ETL work. This process offers any agency the opportunity to transfer their legacy data from one database to another. This process is perfect for those agencies that need to change RMS systems and want to transfer their legacy data. Because this is a custom solution, pricing is not subject to the typical data set pricing. Prior to any price quote being given, a scope of work assessment must be completed.

We also specialize in developing Application Program Interfaces (APIs) to enhance agencies' ability to utilize other custom software systems such as mapping, analytical programs and external crime-reducing data sources.

FINDER IS A VETTED SECURITY SOLUTIONS COMPANY

# Access law enforcement's largest facial identification database



## Making the World a Safer Place

Clearview AI's mission is to deliver the most comprehensive identity solutions in the world. We support law enforcement and national organizations in their mission to identify victims and perpetrators in order to safeguard their communities and secure industry and commerce.

### What is Clearview AI?

Clearview AI is a cutting-edge investigative tool used by law enforcement and government agencies to help rapidly identify suspects, persons of interest, and victims of crimes. Clearview AI has helped these agencies successfully investigate hundreds of wanted persons including child pornographers, thieves, terrorists, and sex traffickers. It has also been used to help identify and aid victims of human trafficking, child sex abuse, and identity fraud.

### What makes Clearview AI unique?

Clearview AI helps agencies generate quality investigative leads by searching against public web sources, including news media, mugshot websites, social media sites, and many other public websites.

### Introducing Clearview AI Galleries:

With galleries, agencies can import their own private, customized facial datasets such as mugshot repositories, customized watchlists, or any other facial database to have a comprehensive, unified platform for identity management.



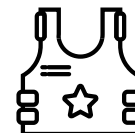
#### Helps Solve Crimes

Clearview AI empowers law enforcement agencies to investigate cases faster. Quick identifications lead to early apprehensions and lower crime rates, protecting communities, property and saving lives



#### Increase Productivity

Clearview AI allows agencies to address manpower and resource deficiencies by providing high quality investigative leads with fewer resources expended.



#### Increase Officer Safety

Clearview AI helps agencies uncover actionable intelligence and increased situational awareness with powerful tools including the ability to generate watchlists and alerts, and validating identities in the field.

# How does Clearview AI's facial search technology work?

- 1 Upload an image to our desktop or mobile application.
- 2 Clearview AI searches against images indexed from public web sources and custom user-defined facial databases.
- 3 Clearview AI returns facial image results with a source URL for public images and facial images with associated metadata from custom databases.
- 4 All results are then carefully reviewed by the end user to advance their investigation.



## Clearview AI Use Cases

### Violent Crimes

From armed robberies, to homicide, to property crimes, Clearview AI can provide leads on suspects more quickly, more discreetly, and more accurately than eyewitnesses or appeals to the public.

### Sex Crimes & Human Trafficking

Investigators use Clearview AI to identify victims of human trafficking and exploitation and their offenders in seconds, helping better protect the most vulnerable around us.

### Fraud & Identity Theft

Investigators use Clearview AI every day to confront and deter financial crimes. Millions of dollars of fraudulent activity have been successfully investigated using Clearview AI.

And More...



## Features and Specifications

Clearview AI's revolutionary technology includes:

- State-of-the-art machine learning search engine accessed over an encrypted HTTPS connection
- Unified, easy-to-use interface with multi-gallery search capabilities
- Automatic face detection with search results returned in seconds
- Regular security audits from top cybersecurity vendors like NCC Group and HackerOne
- Secure end-to-end encryption using the latest TLS specifications
- User data is fully encrypted and stored in a secure datacenter
- A comprehensive platform with administrative oversight, dashboards and reporting tools
- Online and in-person training modules covering facial recognition technology, best practices, applications in law enforcement, and policy implementation.

### Private and Customizable

#### Privatized Search History

Only the administrators for your organization can view the search history of your users. It cannot be seen by any Clearview AI employees.

#### Customized Permissions

Specify granular permissions for individual users or groups for any feature on the Clearview AI platform, including opt-in gallery sharing with other law enforcement agencies to reflect any MOU's (full sharing, double-blind sharing, etc.)



# VIGILANT FACESEARCH IDENTITY MATCHING AND VERIFICATION

## QUICKLY SHORTEN YOUR SUSPECT LIST

Crowd-sourcing the identity of a wanted suspect is time-consuming. Vigilant FaceSearch analyzes over 350 facial vectors of a suspect's face to generate immediate leads using a booking image gallery sourced from your department, partner agencies and our own exclusive database – providing a responsible, policy-based approach to facial recognition-based identification.

### KEY BENEFITS

#### Generate More Reliable Leads

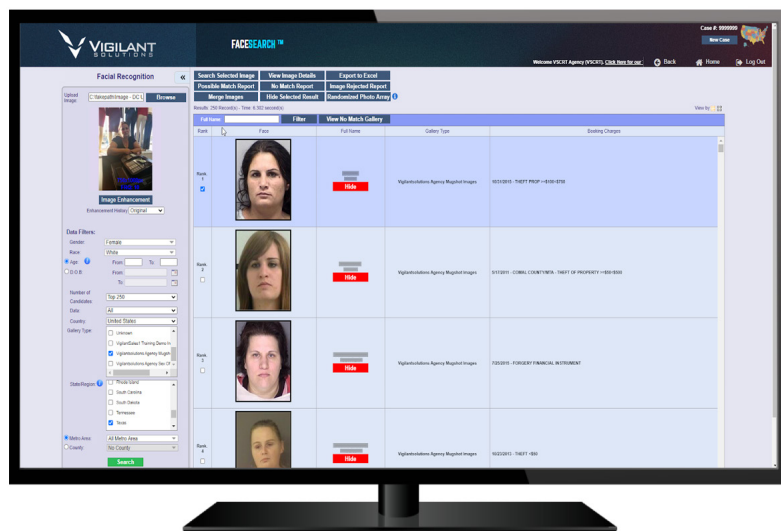
Deliver accurate, reliable and timely data using an easily configurable system.

#### Get More Matches, More Often

Increase your chance of a match by comparing against your own images, partner databases and our nationwide gallery.

#### Automate Accountability

Minimize risks, maintain compliance and provide full transparency into your system with easy to manage built-in processes.





## PRIMARY FEATURES

**Exclusive Nationwide Image Gallery** – Ability to search and compare images with millions of images in our public gallery.

**Agency Database Synchronization** – Easily upload your agency's images for a more robust database.

**Built-In Enhancement Tools** – Utilize both high and poor quality images with the use of built-in enhancement tools.

**Configurable Search Results** – Narrow down your list of suspects with easily configurable searches.

**No Match Gallery & Match Alerts** – No match, no problem. Add your probe image to the no match gallery and be alerted when a possible match is available.

**Embedded Image Annotation Tools** – Use subjective analysis to annotate possible match image against the probe image.

**Possible Match Report Activity Log** – Court ready documentation with built in two factor peer review.

**Agency-Managed Data Sharing and Access** – Easily share data among agencies nationwide with the touch of a button.

**CJIS Security Policy Compliant** – Follow CJIS security guidelines to safely and securely manage your data.

**NIST Certified Algorithm Accuracy** – Accurate and efficient NIST validated algorithms.

**User, Case & System-Level Auditing** – Systems log all operations, system notifications, and operator submitted data for auditing purposes.

**Free, Expert Training Sessions** – We train our customers on how to control access, use proper workflows and procedures while also keeping them up to date on policy and laws.

Interested in receiving a demo?  
Visit [motorolasolutions.com/contactus](https://motorolasolutions.com/contactus)



Motorola Solutions, Inc. 500 West Monroe Street, Chicago, IL 60661 U.S.A. [motorolasolutions.com](https://motorolasolutions.com)

MOTOROLA, MOTO, MOTOROLA SOLUTIONS and the Stylized M Logo are trademarks or registered trademarks of Motorola Trademark Holdings, LLC and are used under license. All other trademarks are the property of their respective owners. © 2020 Motorola Solutions, Inc. All rights reserved. 12-2020



**VIDEO SYNOPSIS<sup>®</sup>** - Transform video surveillance into actionable intelligence with BriefCam. As the industry's leading provider of Video Synopsis<sup>®</sup> and Deep Learning technologies, BriefCam transforms hours of raw video footage into searchable, actionable and quantifiable content. [Visit [briefcam.com](http://briefcam.com) to learn more.]

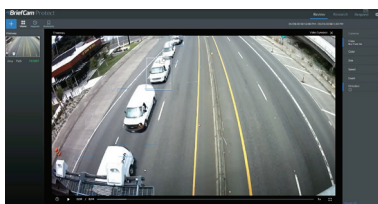


Image: BriefCam traffic optimization

## TRAFFIC OPTIMIZATION

Identify hotspots on highways, parking lots, warehouse floors, retail stores, campuses and large stadiums. Enables organizations to quantify and classify traffic, maximize space and optimize traffic flow.



Image: BriefCam analytics dashboard

## CONSUMER ANALYTICS AND LOSS PREVENTION

Transform retail by leveraging video surveillance to uncover quantifiable data and trends and unlock new insights that drive sales and increase profits. Catch shoplifters, identify employee theft and stop shrinkage.

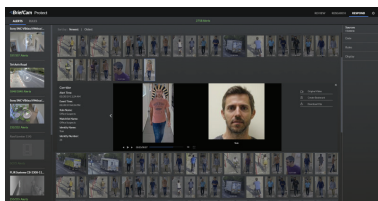


Image: BriefCam facial recognition

## CROWD MANAGEMENT

Provide quantifiable insights to better manage traffic flow, identify problem hotspots. Locate missing people, investigate pickpockets and send real-time alerts when restricted areas are entered.



**VIDEO WALL SOLUTIONS-** A video wall platform for the work that matters most. From police department command centers to sophisticated research centers, organizations around the world use Hiperwall software for their real-time collaborative visualization needs. Designed to facilitate critical decision making, our flexible software is perfect for any interactive video wall from the smallest to the most complex. [Visit [hiperwall.com](http://hiperwall.com) to learn more.]



Image: Hiperwall HiperOperator

## HIPEROPERATOR

The HiperOperator application provides remote access to your video walls from PCs and mobile devices such as Windows or Linux tablets, so you can support and manage your video wall anywhere, anytime.



Image: Hiperwall HiperView

## HIPERVIEW

The HiperView application powers the video wall's monitors or display devices that show content to the viewer. Each display is managed by an ultra-small, low-cost, display-attachable computer running HiperView software.



Image: Hiperwall HiperCast

## HIPERCAST

HiperCast is an application that enables users to share live feeds, information and other content between Hiperwall systems located around the world. HiperCast provides opportunities for enhanced communication and collaboration between multiple locations or divisions of a large company or organization.



**REAL-TIME DATA VISUALIZATION** - Live Earth bolsters law enforcement's ability to swiftly respond to emergencies with greater precision and preparation. Live Earth offers a single, interactive map that allows a law enforcement agency to visualize every relevant piece of a criminal investigation in real-time, without needing to upend their existing systems. The cloud-based platform enables command center staff to seamlessly fuse data from multiple sources, sensors and systems. [Visit [liveearth.com](http://liveearth.com) to learn more.]

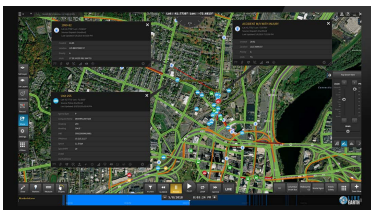


Image: LiveEarth Missing Persons Response

## MISSING PERSONS RESPONSE

Forensic analysis within the Live Earth platform helps law enforcement visualize various data sets to create a holistic picture of the events.

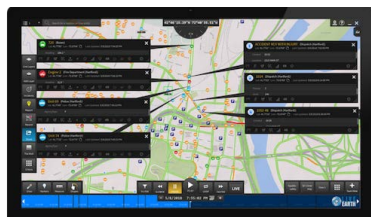


Image: LiveEarth Information Management

## INFORMATION MANAGEMENT

Leverage real-time GIS data to enable agencies to simultaneously funnel, analyze, and display, both continuous and static data for enhanced situational awareness, and fuse intel from outside sources such as surveillance systems, weather monitors, IoT devices and traffic cameras with data collected through their CAD, 911, RMS, LPR and AVL systems.



Image: LiveEarth K-12 Security

## ENHANCED SECURITY IN K-12 SCHOOLS

The Live Earth platform comes with out-of-the-box data layers, such as weather, as well as useful features that can be used to enhance security. Features that would be useful for schools include real-time alerts, play, pause, and rewind, and share. With alerts, administrators would get notifications as soon as the parameters of an alert are met.



# CCTV & Access Control





Image: Avigilon CCTV camera

## CCTV PRODUCTS

A remote, intelligent video security system that operates autonomously or as a networked system, our CCTV cameras are self-contained and housed in an environmentally-controlled aluminum enclosure capable of operating in all weather conditions. The camera itself can be customized to be bullet-resistant and its enclosure can feature custom artwork. [Visit [avigilon.com](http://avigilon.com) to learn more.]



Image: Avigilon computer analytics and camera

## CCTV EDGE ANALYTICS FROM AVIGILON

**ACC ES Analytics Appliance** enables analytics on IP surveillance devices.

- Pattern-based object classification and tracking technology
- Continuously self-learning video analytics with no manual calibration required

**Centralized monitoring** lets organizations record locally, view centrally and manage remotely. Designed for organizations with multiple sites and critical assets requiring protection and monitoring, the Avigilon Control Center (ACC) Edge Solution (ES) products eliminate bandwidth issues for centralized monitoring of remote sites. By storing 30+ days of HD video locally near the camera, you can easily view it remotely from your central location.

**True Preventative Protection** combined with our high definition cameras with self-learning video analytics, the **ACC ES HD Recorder** becomes a powerful and intelligent remote monitoring solution. For facilities with existing investments in non-analytic IP cameras, the **ACC ES Analytics Appliance** adds self-learning video analytics to any connected video stream—IP camera or video encoder.

[Visit [avigilon.com](http://avigilon.com) to learn more.]



**PHONE:** 727.440.3245

**EMAIL:** [sales@vettedsecuritysolutions.com](mailto:sales@vettedsecuritysolutions.com)

**WEB:** [vettedsecuritysolutions.com](http://vettedsecuritysolutions.com)